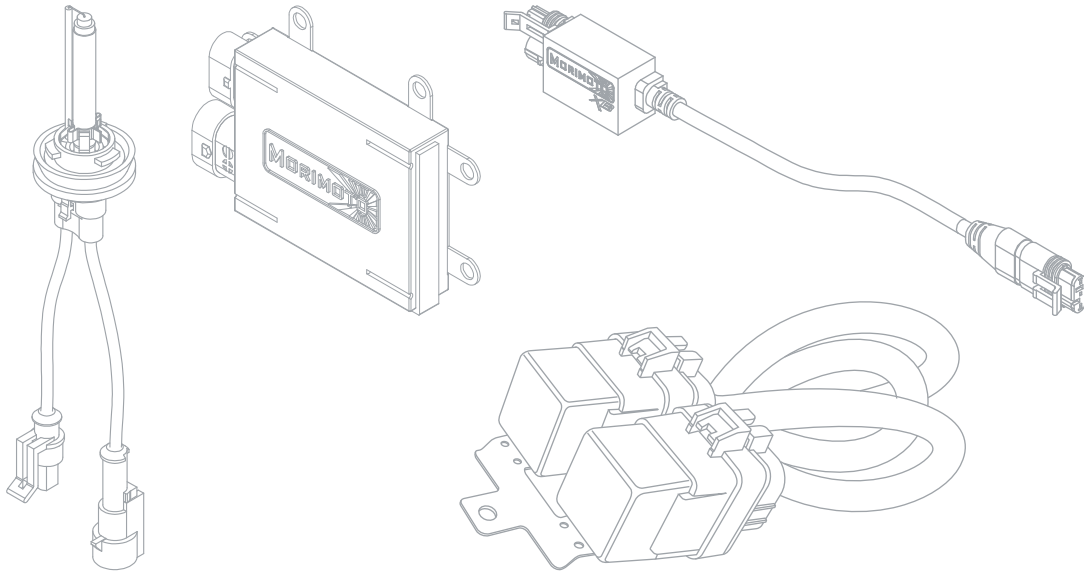




THE AUTOMOTIVE LIGHTING BENCHMARK



INSTALLATION GUIDE

SILVERADO-SPECIFIC ELITE HID SYSTEM




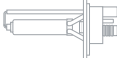

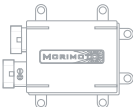

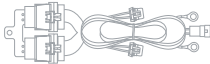


WARNING: By reading this document, I agree it is only to be used as an educational guide. Morimoto Lighting makes no guarantee on any finished results, nor are they to be held responsible for any damage, misuse, or personal injuries. Use at your own risk. If you are unable to clearly understand and adapt the information below to your own application, professional installation is recommended.

TABLE OF CONTENTS

SYSTEM DIAGRAM	P.3
HARNESS INSTALLATION	P.4
BULB INSTALLATION	P.5
BALLAST INSTALLATION	P.7

KIT CONTENTS

STANDARD PARTS

	1x TEST LEAD
	2x HID BULBS
	2x BULB WIRES
	2x BALLAST COMPUTERS
	2x AMP IGNITERS
	1x HD RELAY HARNESS
	1x CAPACITOR LINK
	1x EXTENSION

OPTIONAL PARTS

	2x CARBON FIBER BALLAST BRACKETS
---	----------------------------------



The included ballast test lead is used for troubleshooting purposes only and is not part of the installation of this system. If necessary, the test lead can be plugged into the ballast input and then connected to a 12V+ source to test the ballast. This must be done with the bulb connected to the ballast prior to applying power.

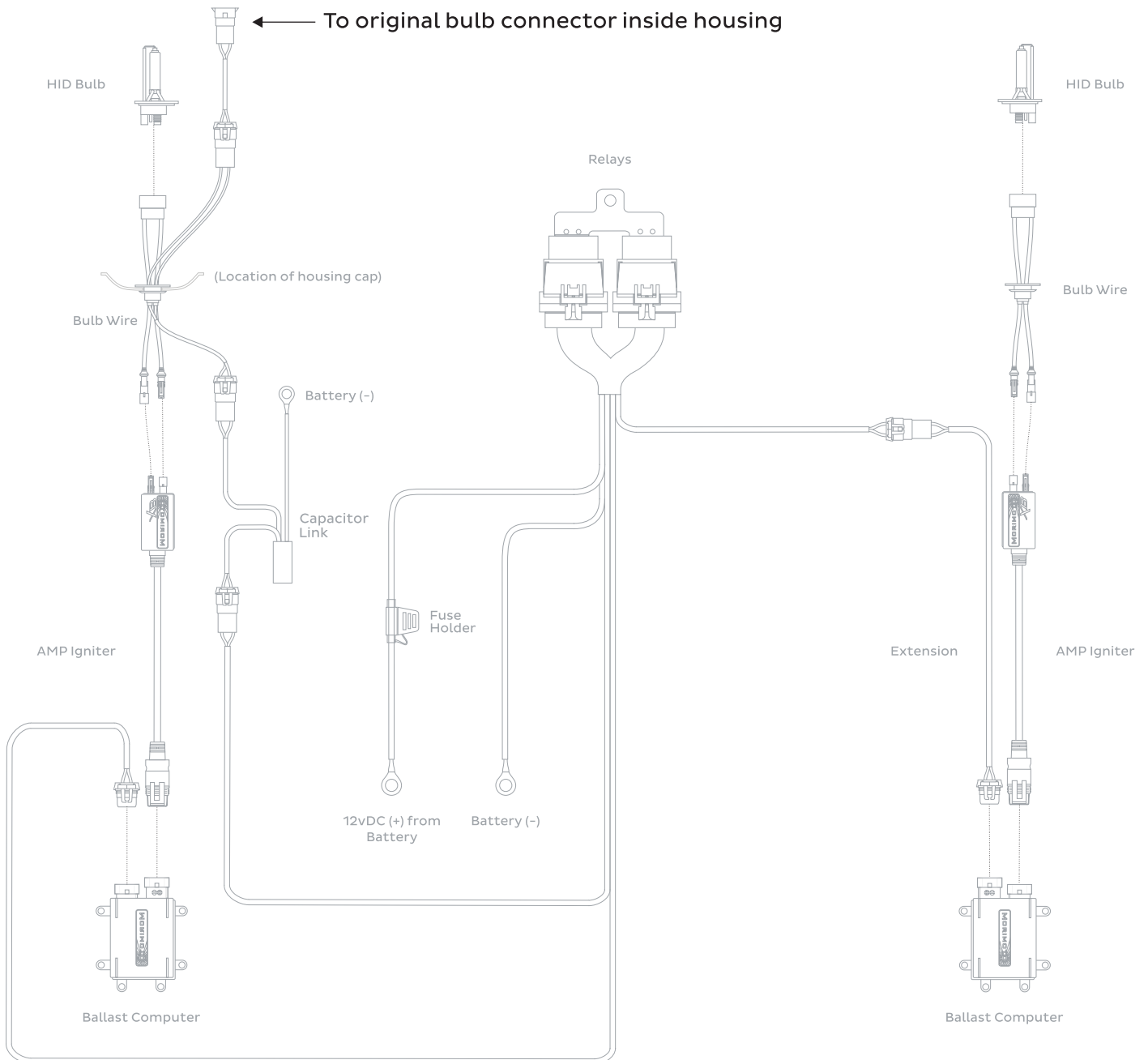
SYSTEM DIAGRAM



NOTE: System diagrams are to be used for reference purposes only. If you are unsure of the installation procedure for any individual part, review its install procedure prior to proceeding.

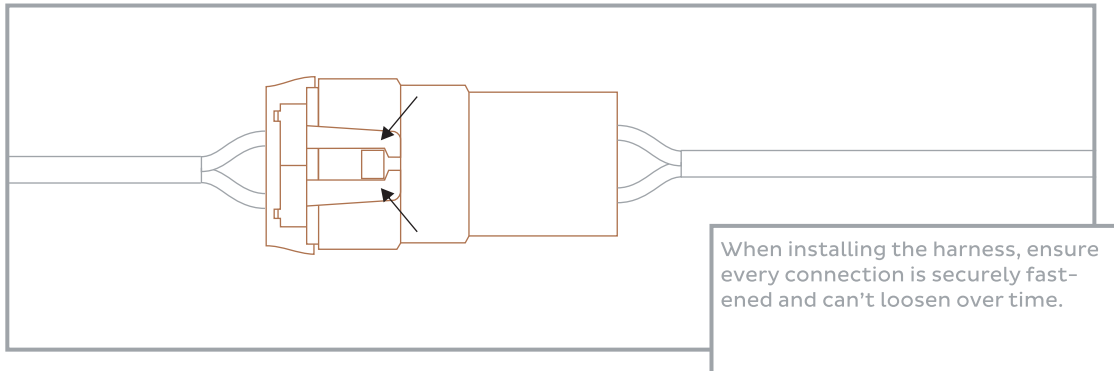
Passenger side of truck

Driver side of truck

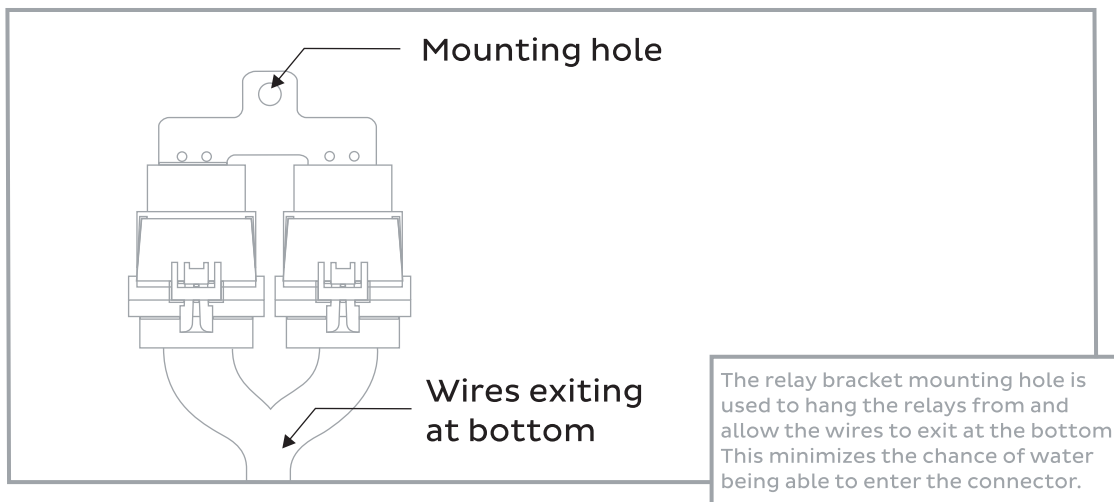


HARNESS INSTALLATION

SPECIAL NOTE: ALL HARNESS TYPES



SPECIAL NOTE: HD RELAY HARNESS



BULB INSTALLATION



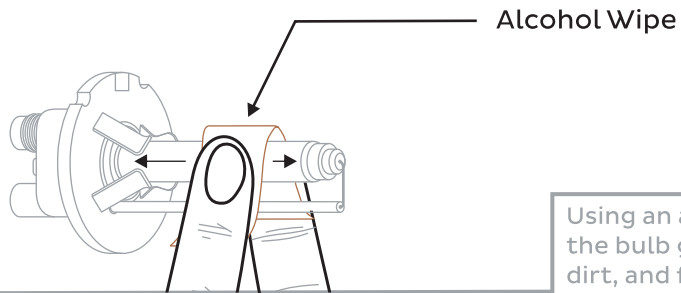
CAUTION: HOT!



HANDLE ONLY WITH
BLACK PLASTIC BASE

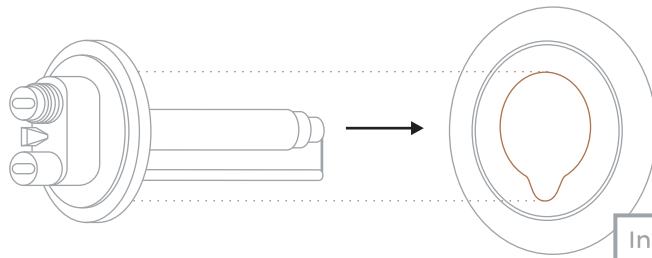
STEP BY STEP - INTERNALLY-WIRED

1



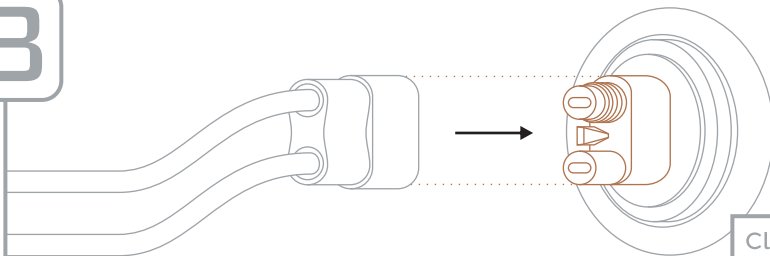
Using an alcohol wipe, clean the bulb glass of any dust, dirt, and finger prints.

2



Install bulb into housing, replacing the stock halogen bulb.

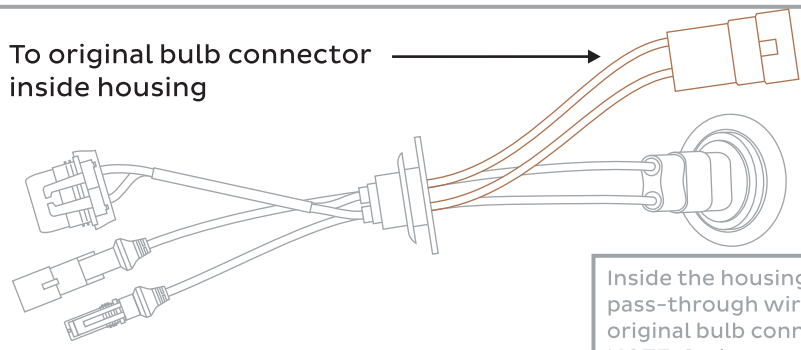
3



Click bulb wire connection onto bulb. Ensure side tab is fully latched.

4

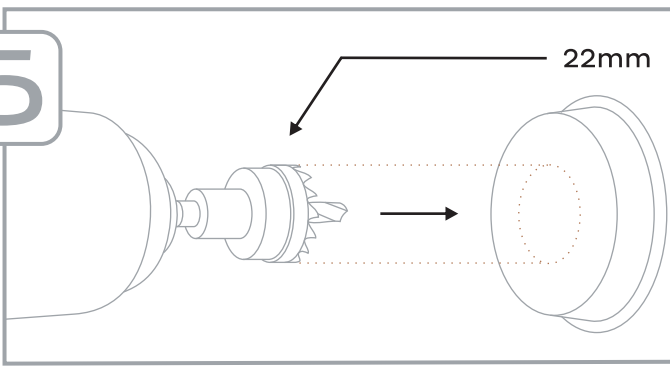
To original bulb connector inside housing



Inside the housing, connect the pass-through wiring into the original bulb connector.
NOTE: Style may vary

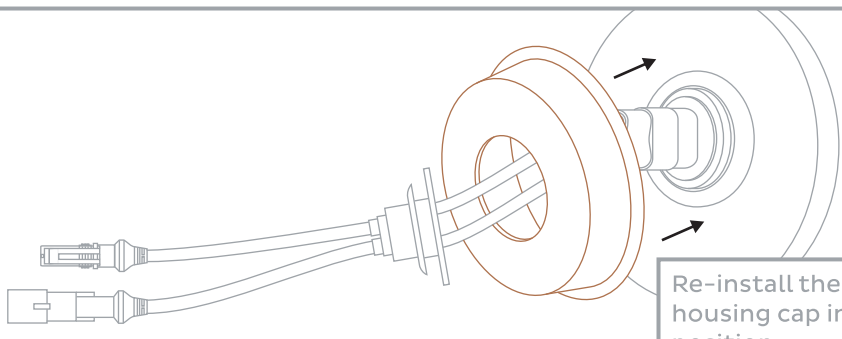
5

22mm



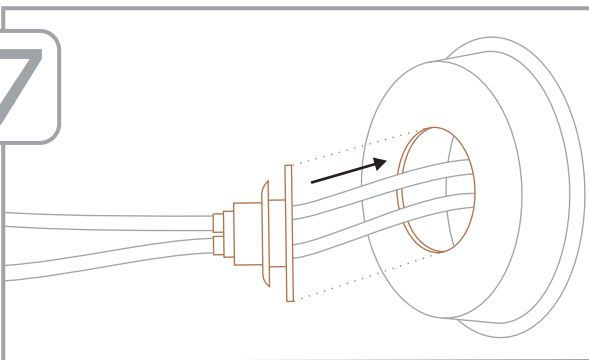
In the factory housing cap that covers the bulb, drill a 22mm hole using a hole saw.

6

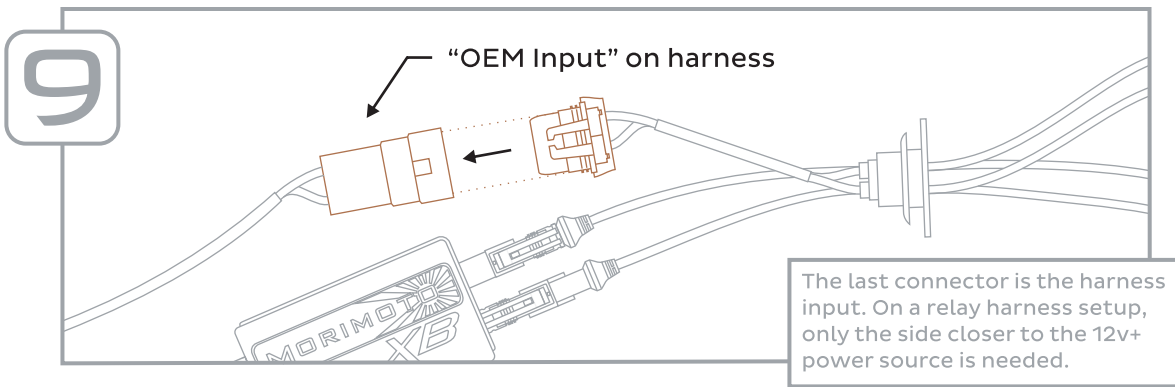
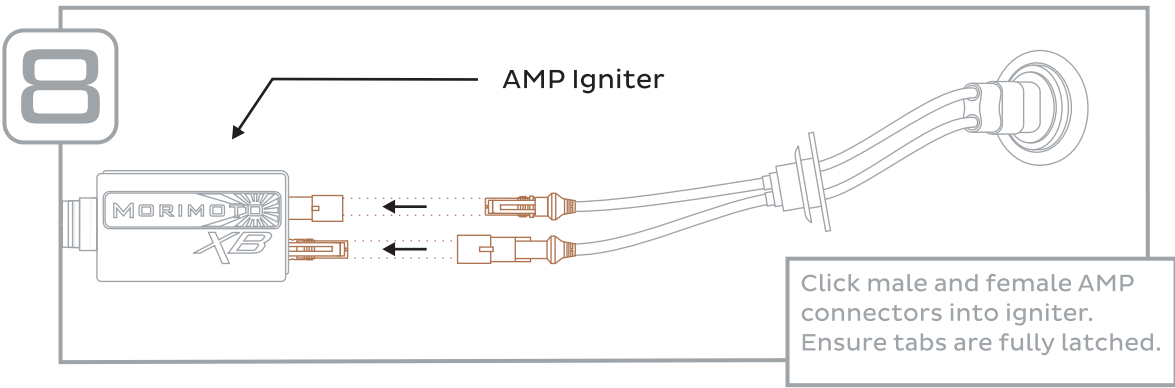


Re-install the factory housing cap into its original position.

7



Fit black silicone gasket into hole in housing cap, allowing each side to be fully covering the hole.



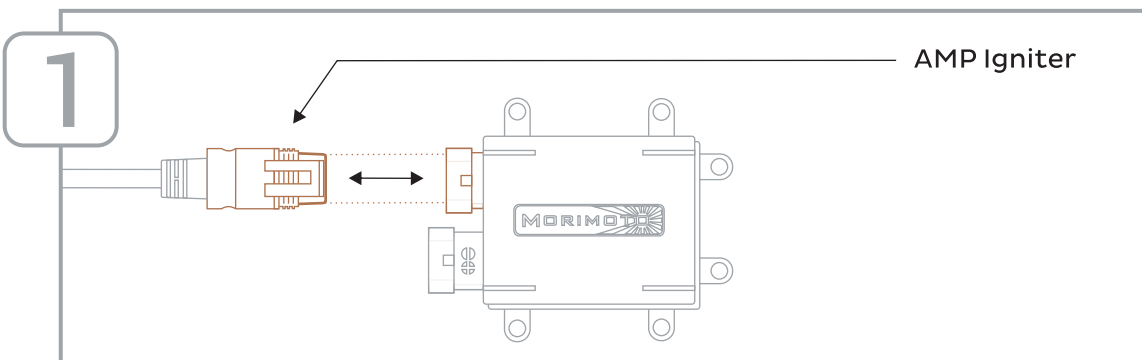
BALLAST INSTALLATION

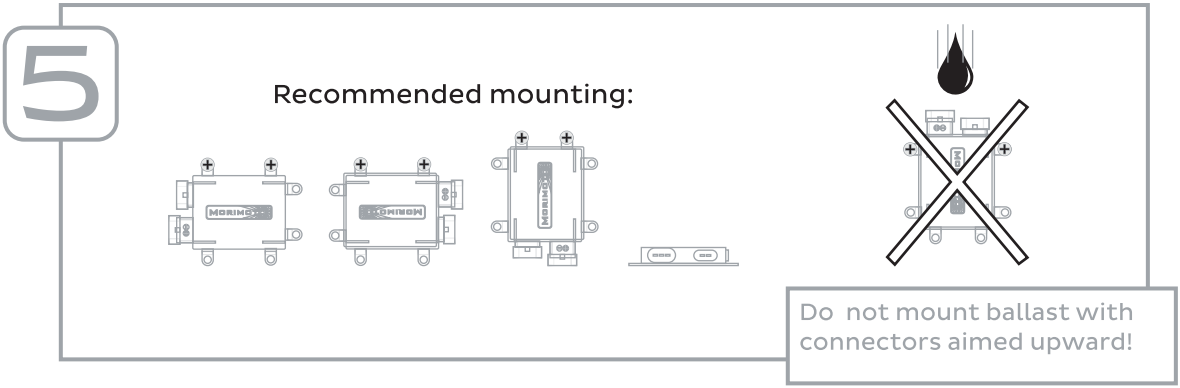
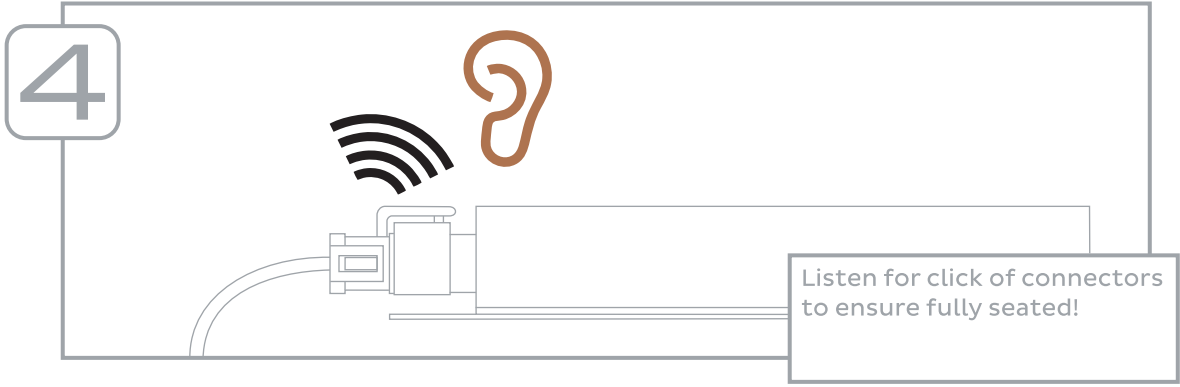
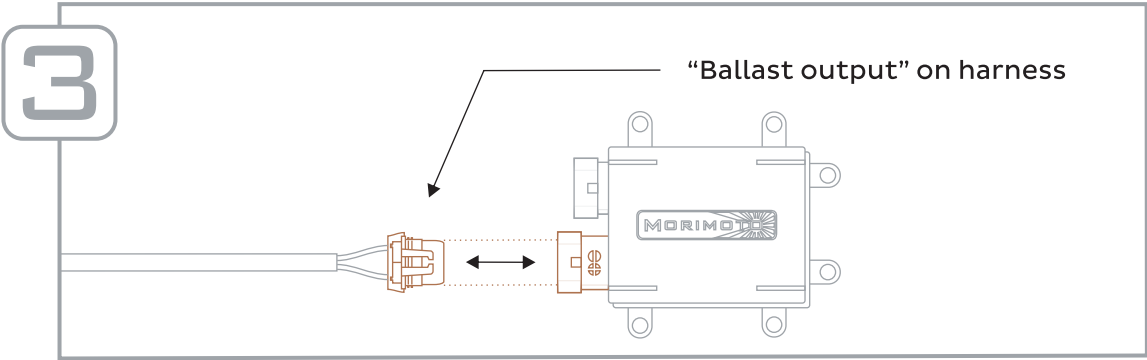
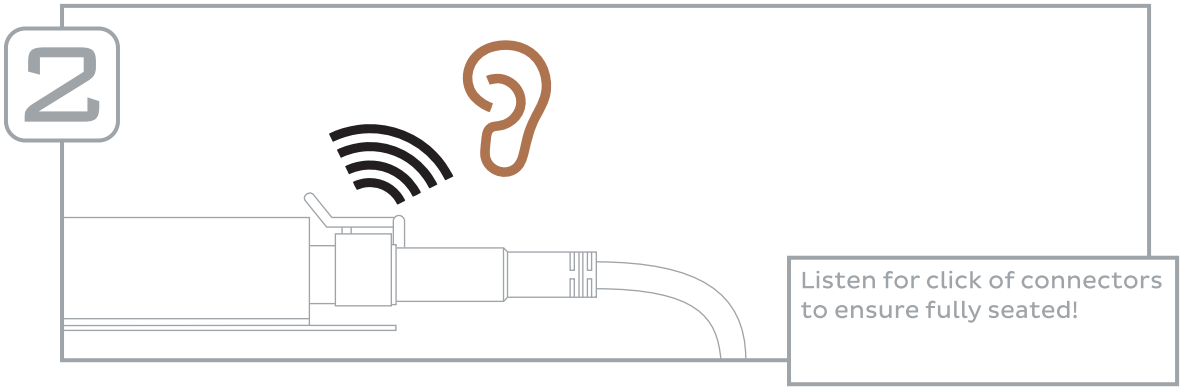


DO NOT IGNITE UNTIL FULLY CONNECTED!



WATERPROOF





-END-