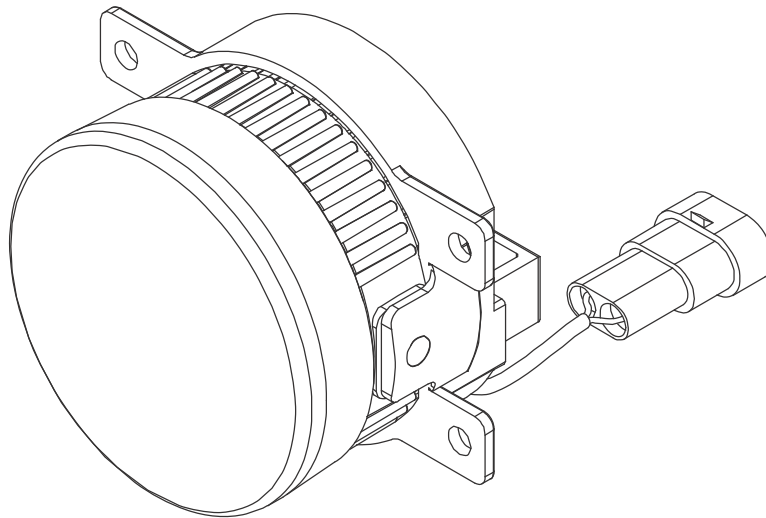




THE RETROFIT SOURCE

Innovative Headlight Upgrades



INSTALLATION GUIDE

XB LED FOG LIGHTS

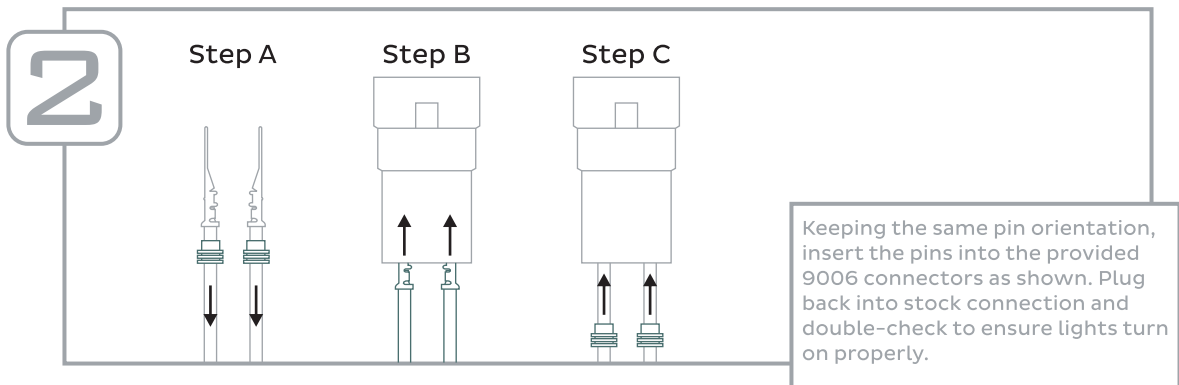
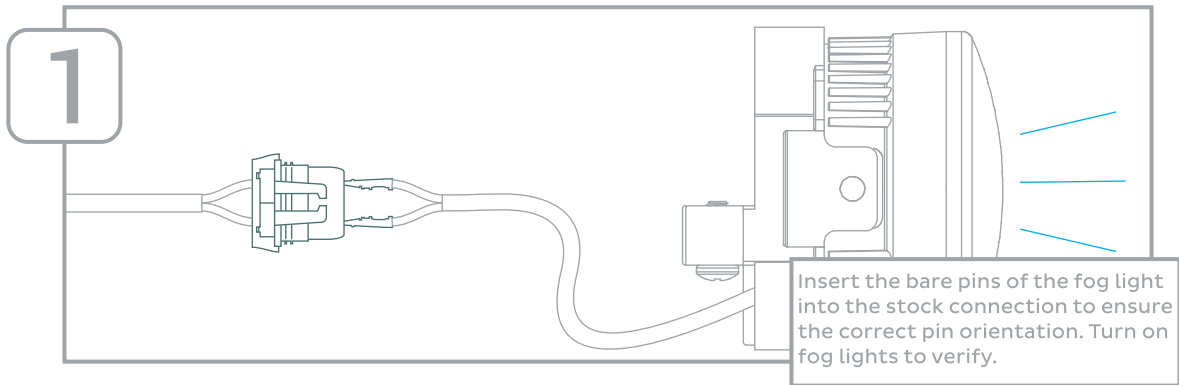


WARNING: By reading this document, I agree it is only to be used as an educational guide. The Retrofit Source makes no guarantee on any finished results, nor are they to be held responsible for any damage, misuse, or personal injuries. Use at your own risk. If you are unable to clearly understand and adapt the information below to your own application, professional installation is recommended.

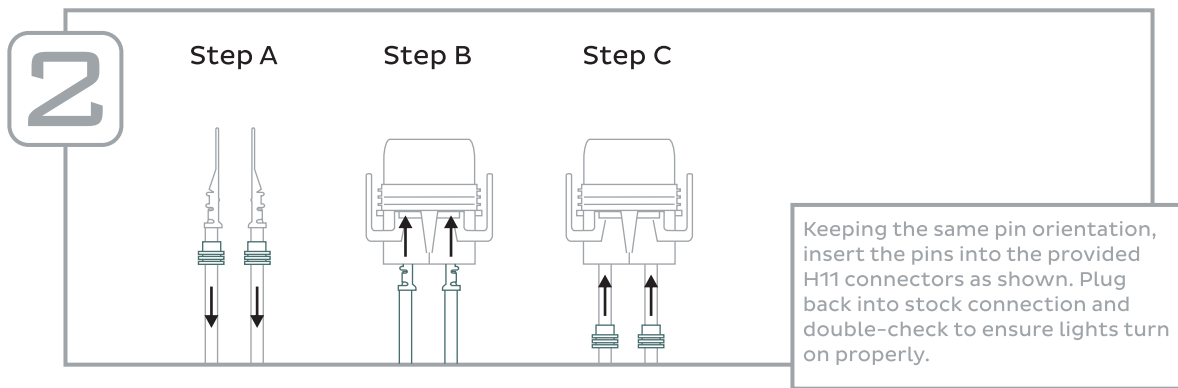
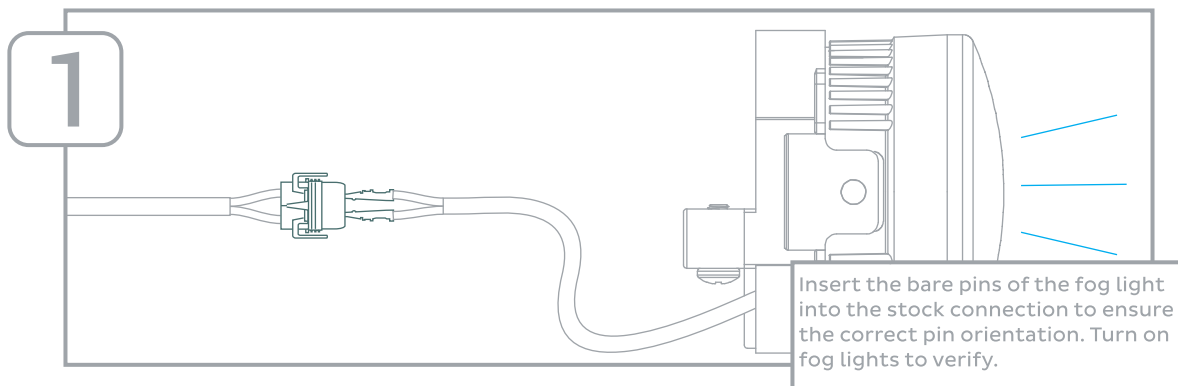


The fog light housing installation varies based on your specific vehicle and will install in the reverse order of the removal of your stock fog light. This guide covers only the wiring of the new fog light assembly.

TYPE F1, F2, X



TYPE H, M, N, S, T



TYPE GM1, GM2

