



# FILTERS

## COLD AIR INTAKE

### INSTALLATION INSTRUCTIONS:

P/N: 75-5108 / 75-5108D





# FILTERS

**BREATHE EASY. YOUR ENGINE & WARRANTY ARE PROTECTED.™**

**Thank You!** for purchasing your new S&B Filters intake kit. If at any time you need additional assistance with installation or have any other questions or comments, feel free to call our customer service department at 909-947-0015. You can also take advantage of our live chat at [www.sbfilters.com](http://www.sbfilters.com) and connect with an S&B representative immediately. We hope you enjoy your new S&B Filters product and thank you for your continued support. Breathe Easy. Your Engine and Warranty Are Protected.

## VEHICLE APPLICATION:

**YEAR:** 2011-16

**MAKE:** Ford

**MODEL:** F-250/F-350

**ENGINE:** 6.2L

**APPROX. INSTALL TIME:** 1HRS | 00MIN

### TOOLS REQUIRED:

- 1/4", 5/16" Wrench/Socket
- 9/16" and 3/4" Wrench or Adjustable Wrench
- T20 Torx (supplied)
- Phillips Screwdriver
- Panel Popper

### NOTES:

Kit may not fit with the following Aftermarket Parts installed:

- Body Lift or Lowering Kit
- Custom Hood
- Throttle Body Spacer/ Upgrade

### CARB STATUS - PENDING

Product will be submitted to Air Resources Board for approval shortly.

*Not Legal for use in CA or other states adopting CA emissions standards"  
See Page 2 for more info.*

### S&B FILTER MAINTENANCE:

- Cleanable (KF-1058). If the enclosed filter is Red, it came preoiled from the factory. Please visit [www.sbfilters.com](http://www.sbfilters.com) for exact oil amount required after cleaning.
- Disposable (KF-1058D). If the enclosed filter is White, it is a disposable filter and should be discarded once it reaches capacity. This filter **does not require oil**. For more info on S&B's disposable filter, visit [www.sbfilters.com](http://www.sbfilters.com).

### BEFORE YOU START

- Please read the entire product guide before proceeding.
- Ensure all components listed on pages 3 & 4 are present.
- If you are missing any of the components, call our customer support at (909) 947-0015.
- Do not work on your vehicle while engine is hot.
- Make sure the engine is turned off and the vehicle is in Park or the Parking Brake is set.

## RELATED ITEMS FOR YOUR PURCHASE

Order Online today at [www.sbfilters.com](http://www.sbfilters.com) or through your local S&B distributor.



**Filter Wrap**  
SKU# WF-1058



**Replacement Cotton Filter**  
SKU# KF-1058



**Replacement Dry Filter**  
SKU# KF-1058D

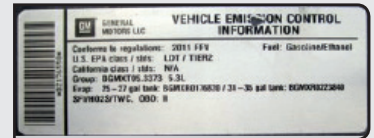


**Precision II:  
Cleaning & Oil Kit**  
SKU# 88-0008

## Performance Testing

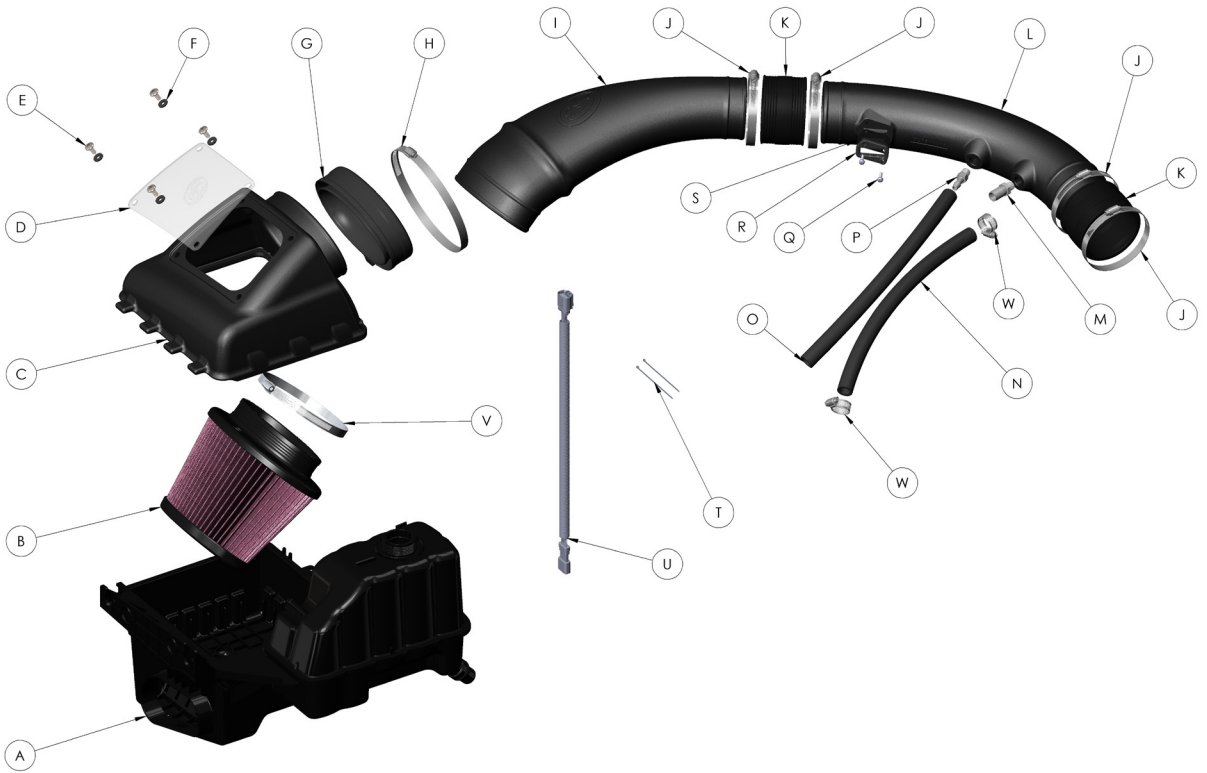
- After your installation is complete engage parking brake and start your engine. Listen for abnormal noises. If an air leak is detected, re-inspect hoses and connections as they may need to be repositioned and tightened.
- S&B FILTERS recommends that you keep your OE intake system in the event it is required in the future.
- In order to maintain your warranty, all connections and components must be checked periodically for alignment and for proper tension on all connections. Failure to do so may void your warranty.
- Use only S&B FILTERS cleaning and oil products to service your filter. Using any other brand oil and/or cleaners on your S&B air filter may void your warranty.

**Warning!** If your vehicle has a Vehicle Emission Control Information decal affixed to the factory airbox, a new replacement label must be obtained and installed in a readily visible position in the engine compartment in order to remain CARB compliant. Failure to do so will prevent the vehicle from passing a smog check. Replacement labels can be ordered from your local dealership. Regulations state that the VEI label shall not be affixed to any equipment which is easily detached from the vehicle. Label placement, under the hood on a painted surface is recommended.



**Emissions Standard** The California Air Resource Board (CARB) requires that an E.O. Identification label be applied to the vehicle in order to pass a smog check inspection when a Performance Intake Kit has been installed. You must place the E.O. Label provided on or near the intake kit after installation so that a smog check technician can easily verify the E.O. Number. The exemption process with CARB can take as long as 18 months. Check the status of the exemption process by looking up a specific part number at [www.sbfilters.com](http://www.sbfilters.com). The CARB Exemption number and/or status is listed under the Product Details section for each part number. If the status shows as "Pending," CARB has yet to issue an exemption but the product has been submitted. Products that have not been issued an E.O. number are street legal in most states, but may not be used on emission controlled vehicles in the state of California and are for off road use only. If you purchased your kit from S&B Filters directly, we will automatically mail you your Exemption Sticker when it is issued to us. If you purchased your kit from an authorized S&B Filters Dealer, log onto our web site and register to receive your Exemption Sticker.

**EXPLODED VIEW:**



# PARTS LIST: 75-5108/75-5108D

ITEM	QTY	DESCRIPTION	PART NUMBER
A	1	FACTORY INTAKE BOX (NOT INCLUDED)	-
B	1	AIR FILTER	KF-1058
C	1	INTAKE BOX COVER	AL1217-00
D	1	CLEAR LID	AI1607-00
E	4	SCREW, TRUSS, 1/4-20 x 5/8"	AI1569-00
F	4	WASHER, RUBBER, LID. 1/4-20	AI1571-00
G	1	RUBBER CUFF	AI1604C-00
H	1	HOSE CLAMP, #104	AG1012-00
I	1	INTAKE TUBE (AIR FILTER)	AL1315-00
J	4	HOSE CLAMP, #60	AG1008-00
K	2	COUPLER	AI1678C-00
L	1	INTAKE TUBE (THROTTLE BODY)	AL1314-00
M	1	HOSE BARB, 5/8"	AI1709-00
N	1	HOSE, 5/8" x 20"	AI1039-08
O	1	HOSE, 3/8" x 20"	AI1037-05
P	1	HOSE BARB, 3/8"	AI1049-00
Q	2	SCREW, SEMS, 8-32 x 3/4"	AI1837-00
R	1	MAF PLATE	AI1822-00
S	1	MAF GASKET	AI1823-00
T	2	ZIP TIE	AI1212-00
U	1	MAF EXTENSION HARNESS	AI1481-00
V	1	HOSE CLAMP, #88	AG1011-00
W	2	HOSE CLAMP, #10	AG1035-00
PARTS BELOW ARE NOT SHOWN IN THE EXPLODED VIEW			
X	1	T20 TORX KEY	AI1327-00

AM0362-00 REV-A 11/17/2017

HARDWARE PACKS
HP1529-00
AG1012-00
AG1008-00
AI1481-00
HP1407-00
AI1837-00
AI1822-00
AI1823-00
HP1306-00
AI1569-00
AI1571-00
HP1343-00
AI1709-00
AI1049-00
AG1035-00
AI1039-08
AI1037-05
AI1212-00
AI1327-00
HP1530-00
AI1607-00

## INSTALLATION STEPS:

- 1** With the ignition switched off and the parking brake set, disconnect the negative battery cable. **Note: Failure to disconnect the battery may cause the CEL to illuminate upon completion of the installation and subsequent operation. Do not skip this step!**  
**Tool Required:** 5/16" Socket/Wrench



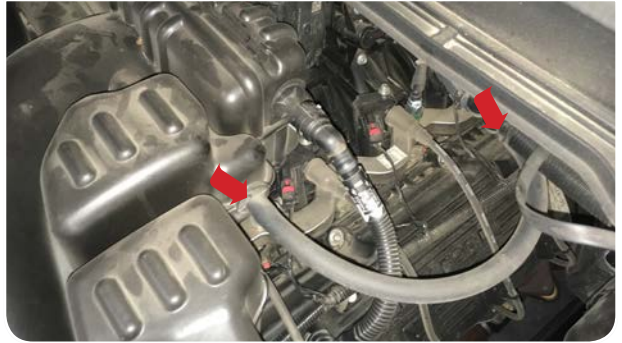
- 2** Disengage the red locking clip, press down on the tab, then pull out to disconnect the MAF sensor harness from the MAF sensor.



- 3** Pop out the two harness clips on the passenger side from the stock resonator intake tube.  
**Tool Required:** Panel Popper



- 4** Remove CCV hose #1 from both the stock resonator intake tube and the hose barb near the firewall.



- 5** Remove CCV hose #2 from both the stock resonator intake tube and the port attached to the engine. This hose has a connector that snaps onto a barb. Disengage the gray connector to release the connector from the barb.



- 6** Loosen the hose clamp on the stock resonator intake tube and throttle body. Disconnect the coolant hose from the hose clip on top of the stock resonator intake tube. Remove the stock resonator from the vehicle.  
**Tool Required:** 5/16" Socket/Wrench or Flat Blade Screwdriver



- 7** Unfasten the three latches securing the stock intake lid. Remove the stock intake lid and air filter from the vehicle.



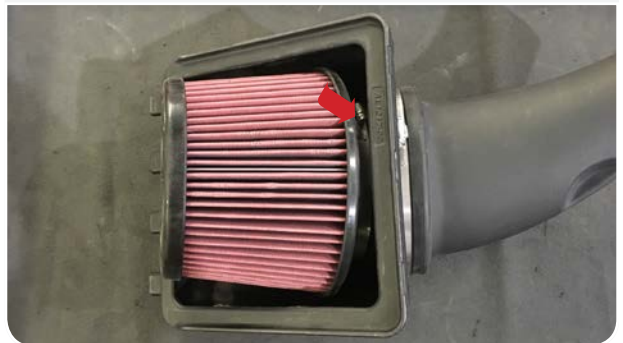
- 8** Install the Rubber Cuff (G) and #104 Hose Clamp (H) onto the Intake Box Cover (C) making sure that the tab on the cuff aligns with the notch. Tighten the hose clamp. The rubber cuff will allow some movement of the tube to accommodate for engine vibrations.  
**Tool Required:** 5/16" Socket/Wrench or Flat Blade Screwdriver



- 9** Insert the Air Filter Intake Tube (I) into the Intake Box Cover (C). Make sure that the tube is pushed up to the stop bead.



- 10** Install the Air Filter (B) onto the Air Filter Intake Tube (I). Tighten the #88 Hose Clamp (V).  
**Tool Required:** 5/16" Socket/Wrench or Flat Blade Screwdriver



## INSTALLATION STEPS:

- 11** Remove the protective covering from the Clear Lid (D).



- 12** Install the Clear Lid (D) onto the Intake Box Cover (C) with 1/4-20 Screws (E) and Washers (F).  
**Tool Required:** Phillips Screwdriver



- 13** Install the Coupler (K) with the #60 Hose Clamps (J) onto the Air Filter Intake Tube (I). Do not tighten any hose clamps yet. Slide the coupler onto the tube as much as possible to help make the installation easier.



- 14** Install the 3/8" Hose Barb (P) and 5/8" Hose Barb (M) into the Throttle Body Intake Tube (L) until finger tight and then give it one to two complete turns with a wrench. Install until snug and do not over tighten.

**Tool Required:** 7/16" and 9/16" Wrench or Adjustable Wrench



- 15** Carefully remove the MAF sensor from the stock intake lid and install it onto the Throttle Body Intake Tube (L) with the 8-32 Screws (Q), MAF Pad (R) and MAF Gasket (S).

**Tools Required:** T20 Torx, Screwdriver, Phillips Screwdriver





**16** Install the Coupler (K) with the #60 Hose Clamps (J) onto the throttle body. Tighten the hose clamp on the throttle body side only. Leave the other one loose.  
**Tool Required:** 5/16" Socket/Wrench or Flat Blade Screwdriver



**17** Connect the MAF Extension Harness (U) into the factory MAF harness.



**18** Install the intake assembly into the factory intake box. Make sure that the tabs on the Intake Box Cover (C) are lined up with the slots on the factory intake box. Once the tabs are in the slots lower the whole intake assembly. Proper installation into the slots will reduce any vibrations.



**19** Fasten the three latches to secure the Intake Box Cover (C).



**20** Install the Throttle Body Intake Tube (L) into the couplers on the throttle body and Air Filter Intake Tube (I). Make any final adjustments and tighten all #60 Hose Clamps (J).  
**Tool Required:** 5/16" Socket/Wrench or Flat Blade Screwdriver



## INSTALLATION STEPS:

- 21** Install the 3/8" Hose (O) and 5/8" Hose (N) with the two #10 Hose Clamps (W) onto the CCV port on the engine side and onto the 3/8 and 5/8 Hose Barbs (P & N) on the Throttle Body Intake Tube (L). Tighten both #10 Hose Clamps.  
**Tool Required:** 1/4 Socket/Wrench or Flat Blade Screwdriver



- 22** Connect the other end of the MAF Extension Harness (U) into the MAF sensor.



- 23** Secure the MAF Extension Harness (U) with the coolant hose line to away from moving or hot components that may cause damage.



- 24** Reconnect the negative terminal on the battery. Inspect your installation, make sure the kit is properly positioned and all fasteners are secure. Affix the ID/CARB label near the intake kit. Keep all stock parts in case you would ever need to reinstall the stock intake. The installation is now complete.  
**Tool Required:** 5/16" Socket/Wrench



**INSTALLATION NOTES:**

