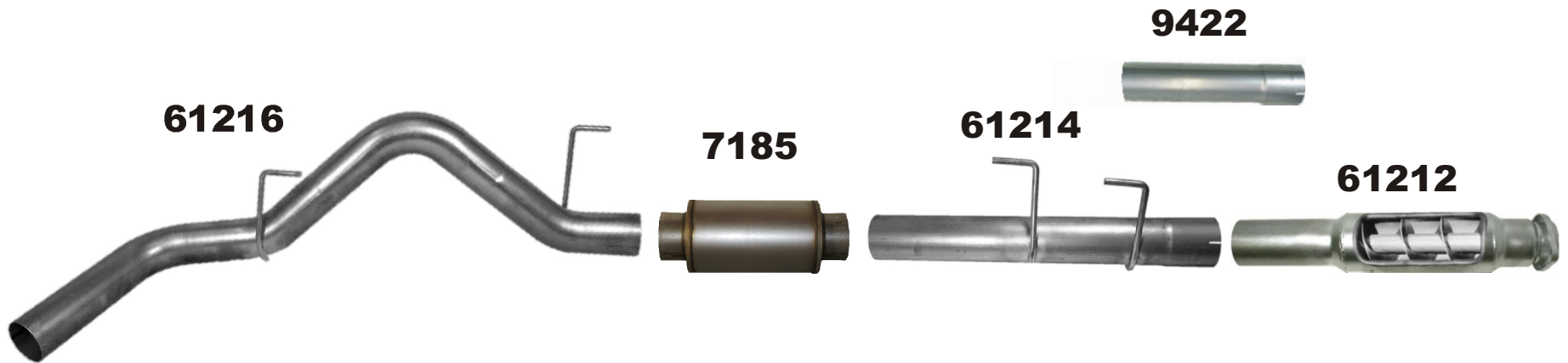


OFF-ROAD
RACE APPLICATION
ONLY

SS865RS

2012 FORD F150 ECOBOOST
4" CAT BACK SYSTEM

157" & 163" WB



- 1-61212
- 1-9422 (CC/LB)
- 1-61214
- 1-7185
- 1-61216
- 4-LJ400SS

2- 3/8 x 2 1/2" Bolt
2- 3/8 Flanged Nut
4- 3/8 Flat Washer

FLO~PRO
PERFORMANCE EXHAUST

PICKED BY: _____

11-12 FORD ECO-BOOST 4" CAT-BACK

Warning:

Allow the trucks exhaust system to cool before removal. Disconnect the battery before starting conversion to the new **FLO~PRO** exhaust system. Always practice safe work habits, i.e. jack stands, gloves, safety glasses etc.

Notes:

FLO~PRO Performance Exhaust Systems are designed to fit stock trucks with OEM hitches, tires, wheels, and spare sizes. Any suspension lifts or other variations may require modification of the new exhaust system for proper fit and finish.

FLO~PRO Performance Exhaust recommends professional installation on all their products.

Do not tighten clamps until the complete system is in place. Snug clamp down so it will hold the pipe but pipe can still be moved.

Spray all rubber mounts with WD-40 as it aids in removal of stock system and installation of new **FLO~PRO** exhaust kit.

1. Remove stock exhaust starting at the rear and working forward until you get to the 2 bolt flange at the rear of the motor. Note: it may be easier to cut the exhaust at the rear of muffler to aid in the removal of the rear section
2. Install pipe # 61212 using supplied 3/8" x 2 1/2" bolts, flanged nuts and washers, but do not fully tighten bolts.
3. Install pipe # 61214 by placing the metal hangers in the factory rubber isolators. **See note at the bottom of page**
4. Install muffler next on the end of pipe # 61214
5. Install tailpipe # 61216 into factory rubber isolators and slip into the muffler.
6. Tighten bolts at the 2 bolt flange and continue back, tightening each clamp accordingly.

NOTE: **145" Wheelbase:** extension pipe # 9422 not needed
157" Wheelbase: cut 6" off **NON-EXPANDED** end of pipe # 9422 and install between pipe #'s 61213 and 61214.
163" Wheelbase: use pipe # 9422 and install between pipe #'s 61213 and 61214.

For shorter wheelbases than above, cut pipe # 61213 accordingly.