

1044103 / Pressure Regulating Valve Install Instructions

Step 1. Using the supplied button head screws & lock washers install valve onto bracket; ensure **outlet** will be facing the direction of the turbine diverter valve once mounted.

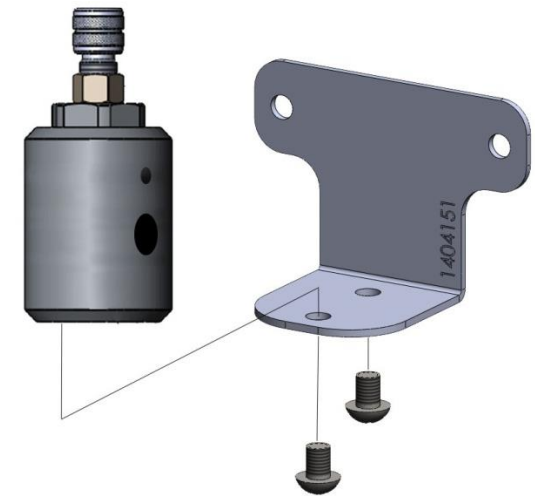
Step 2. See below for inlet /outlet fitting connections. Use pipe dope on connections.

Step 3. Using the supplied self-tapping hex screws. Mount bracket/valve assembly to a secure location on the vehicle (ie; battery box, frame, etc.)

Step 4. Due to various pressures required this valve does not come with a preset pressure.

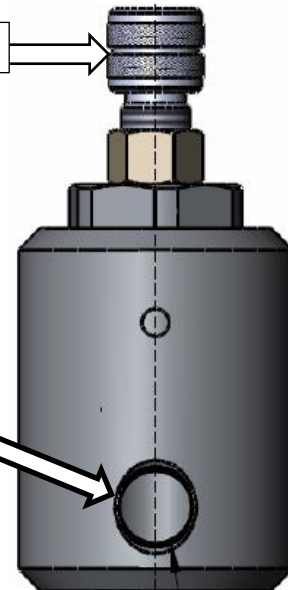
Setting Pressure requires the following steps:

- Disconnect inlet hose from the compressor cover.
- Connect hose to a pressure regulator & gauge (0-60psi).
- Preset pressure to desired opening pressure (*max 50 psi*).
- Once pressure is set reconnect inlet hose to the compressor cover.



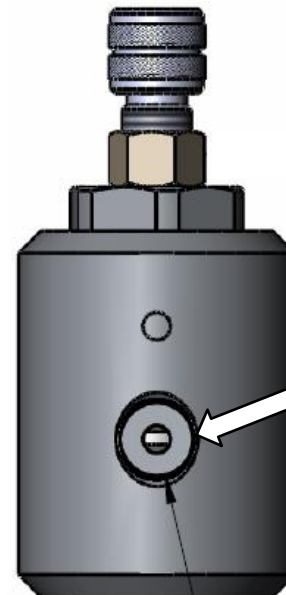
Valve Knob

Insert 1/8" NPT fitting into valve. Then connect hose onto barbed end and secure with spring clamp. Connect other end of hose to compressor cover



Inlet /
Connection from the Compressor housing

Insert 1/8" NPT Fitting into valve. Then connect hose onto barbed end and secure with spring clamp. Connect other end of hose to the Diverter Valve actuator inlet.



Outlet /
Connection to the Diverter valve

BD Engine Brake Inc.

Plant Address: 33541 MacLure Rd. Abbotsford, BC, Canada V2S 7W2

U.S. Shipping Address: 88-446 Harrison St, Sumas, WA 98295 U.S. Mailing Address: P.O. Box 231, Sumas, WA 98295

Phone: 604-853-6096 | Fax: 604-853-8749 | Internet: www.bd-power.com