



## BX2163

### 1999-2004 Ford F-250 2WD/4WD 1999-2004 Ford F-350 2WD/4WD 2000-2005 Ford Excursion Installation Instructions

Serial No.



1. Using the 21MM socket, remove three metric bolts on cross member, each side. Set cross member aside.
2. Remove nine metric bolts from the plastic air dam, just under metal bumper, with the 6MM socket.



3. Just forward of front leaf springs and behind metal bumper, are three metric bolts on tow hook to remove using the 15MM socket. Pull tow hook forward and set aside, both sides. Tow hooks will NOT be reinstalled.
4. With the 18MM socket, remove the two metric bolts from metal bumper openings, both sides.

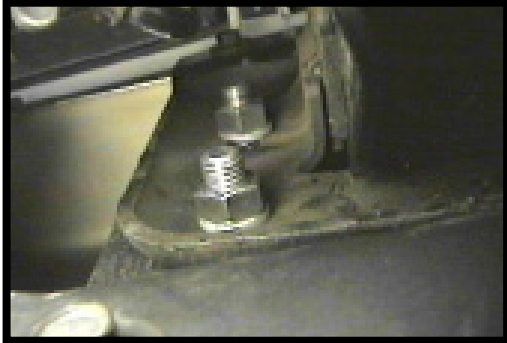


5. Hold baseplate into opening for tow hook to align with back hole, insert items 3 and 5 and tighten. Refer to drawing on last page. Be sure and use loctite on all bolts before tightening.
6. Reinstall four existing metric bolts and tighten. Using the 17/32" drill bit, ream out remaining holes in baseplate. Be sure and use loctite on all bolts before tightening.



## BX2163

### 1999-2004 Ford F-250 2WD/4WD 1999-2004 Ford F-350 2WD/4WD 2000-2005 Ford Excursion Installation Instructions



7. Insert items 3 and 4 into baseplate and tighten items 5 and 6 on the back side of metal bumper. Be sure and use loctite on all bolts before tightening.

8. Reinstall plastic air dam and cross member.
9. The dimensional variations between otherwise identical cars can be considerable. While the location and size of the holes in the baseplate were designed to allow for easy installation, it may be necessary to file a hole slightly to allow a bolt to clear.
10. Install the tow bar and safety cables according to the instructions included in their packages.
11. Do not substitute other devices if the tow bar pin and clip are lost.



2001 F-250 and F-350



2001 Excursion



# BX2163

1999-2004 Ford F-250 2WD/4WD

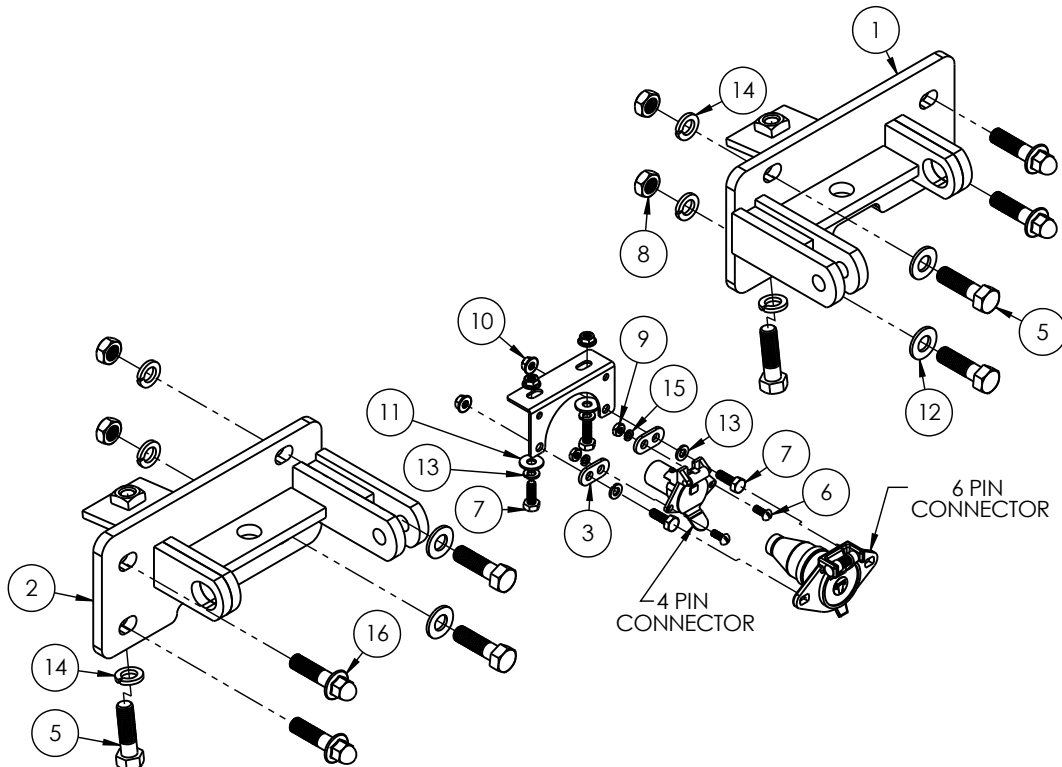
1999-2004 Ford F-350 2WD/4WD

2000-2005 Ford Excursion

## Installation Instructions

### Parts List

Item No.	Part No.	Description	Qty.
1.....	61-5673.....	Weldment, Base Plate, DS, BX2163.....	1
2.....	61-5674.....	Weldment, Base Plate, PS, BX2163.....	1
3.....	101-5822.....	4 Way Connector Adapter.....	2
4.....	101-6135.....	90° Electrical Bracket.....	1
5.....	201-0068.....	1/2"-13 x 1-3/4" Hex Head Bolt, Grade 5, ZP.....	6
6.....	201-0192.....	#10-32 1/2" Round Slotted Head Screw.....	2
7.....	201-0569.....	1/4"-20 x 3/4" Hex Head Bolt, Grade 8, ZP.....	4
8.....	202-0005.....	1/2"-13 Hex Nut, ZP.....	4
9.....	202-0047.....	#10-32 Hex Nut.....	2
10.....	202-0069.....	1/4"-20 Hex Flange Whiz Lock Nut, ZP.....	4
11.....	203-0001.....	1/4" Flat Washer, ZP.....	2
12.....	203-0005.....	1/2" Flat Washer, ZP.....	4
13.....	203-0008.....	1/4" Lock Washer, ZP.....	4
14.....	203-0012.....	1/2" Lock Washer, ZP.....	6
15.....	203-0054.....	#10 Lock Washer.....	2
16.....	226-0049 (not shown).....	Class IV Safety Cables.....	2
17.....	229-0512 (not shown).....	1/2" Quicklink, ZP.....	4
18.....	293-1339 (not provided).....	Breakaway Switch.....	1
19.....	294-0805 (not provided).....	4 Pin Connector.....	1
20.....	294-0902 (not provided).....	6 Pin Connector.....	1



## CUSTOMER SERVICE COMMITMENT

Blue Ox® is committed to providing you with exceptional customer care throughout your lifetime with our products. Our team is here to assist you with any questions you may have regarding the performance of your product. Simply call (402) 385-3051 and you can speak with our customer care team.

Additionally, please visit our website to see which rallies our Destination America team will be attending. For a nominal fee, our service technician will service your towing system to ensure it's in proper working condition. Also, as a commitment to our customers, should you visit our factory, you can stay at our full service Blue Ox® campground at no charge along with enjoying a factory tour.

Again, thank you for being our customer and for the confidence you have shown in the performance of our products. It is because of customers like you we enjoy the success we have today.



© 2011 Blue Ox  
One Mill Road, Industrial Park  
Pender, Nebraska 68047  
Phone: (402) 385-3051  
Fax: (402) 385-3360  
[www.blueox.com](http://www.blueox.com)