



**DOWNLOAD THE LATEST
INSTALL MANUALS AT
www.bddiesel.com**



BD FORD 6.0L PERFORMANCE EXHAUST UP-PIPES



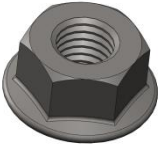






Installation Instructions




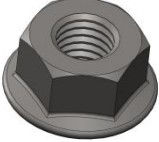


Application List		
Ford Powerstroke 2003-04 For vehicles WITHOUT EGR	6.0L	1043915
Ford Powerstroke 2005-07 For vehicles WITHOUT EGR	6.0L	1043916
Ford Powerstroke 2005-07 For vehicles WITH EGR	6.0L	1043918

PLEASE READ ALL INSTRUCTIONS BEFORE INSTALLATION




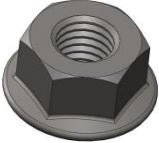


KIT CONTENTS:

Please check to make sure that you have all the parts listed in this kit before you start the disassembly of your truck.

1043915 Kit Contents			
1403124		1452225	
			
<i>Y Casting Ductile Iron</i>		<i>Clamp, V- Band</i>	
Qty: 1		Qty: 2	
		1403126	
			
		<i>Driver side up pipe</i>	
Qty: 1			
1900014	1900013	1403127	
			
<i>Flange nut</i>	<i>Flange bolt 60 mm Long</i>	<i>Passenger side up-pipe</i>	
Qty: 4	Qty: 4	Qty: 1	
5C3Z-9F460-A	1900037	FT-0127135	FT-11509452
			
<i>Heat shield Ford 6L</i>	<i>M6x12mm Bolt</i>	<i>M10x16mm Bolt</i>	<i>M10 Washer</i>
Qty: 1	Qty: 2	Qty: 1	Qty: 1

1043916 Kit Contents		
1403124	1452225	1403126
		
<i>Y Casting Ductile Iron</i>	<i>Clamp, V- Band</i>	<i>Driver side Up pipe</i>
Qty: 1	Qty: 2	Qty: 1
1900014	1900013	1403127
		
<i>Flange nut</i>	<i>Flange bolt 60 mm Long</i>	<i>Passenger Side up-pipe</i>
Qty: 4	Qty: 4	Qty: 1

1043918 Kit Contents

1403124		1452225	1403126
			
<i>Y Casting Ductile Iron</i>		<i>Clamp, V- Band</i>	<i>Driver side Up pipe</i>
Qty: 1		Qty: 2	Qty: 1
1900014	1900013	1403131	
			
<i>Flange nut</i>	<i>Flange bolt 60 mm Long</i>	<i>Passenger Side up-pipe</i>	
Qty: 4	Qty: 4	Qty: 1	

Factory Replacement Parts

Description

Ford 6.0L Turbo Inlet Clamp
EGR Cooler V-band Clamp

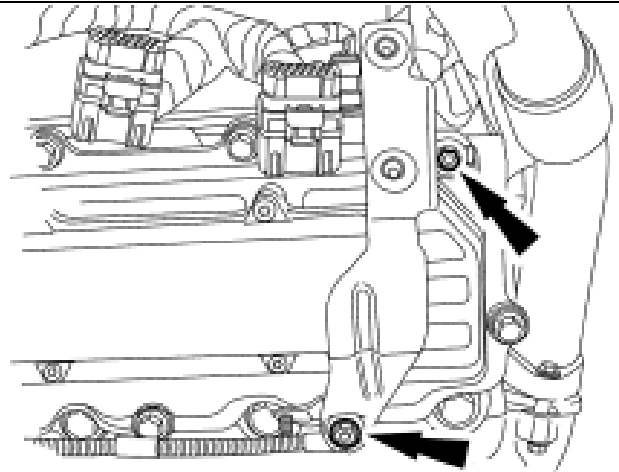
Part

Ford Part # F81Z8287EA
Ford Part # 3C3Z-8287-CB

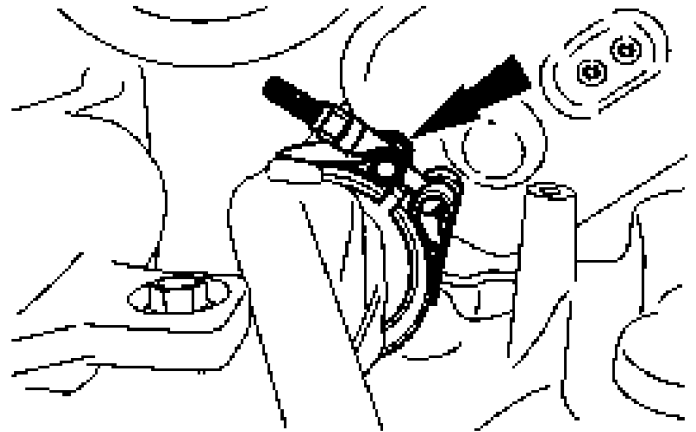
Removal

1. Position vehicle on a hoist; chock wheels if necessary to prevent vehicle from rolling. Disconnect the Negative terminals on both batteries.
2. Remove the turbocharger assembly. Please follow manufacturer's instructions.
3. Remove the fuel injector control module. Please follow manufacturer's instructions.

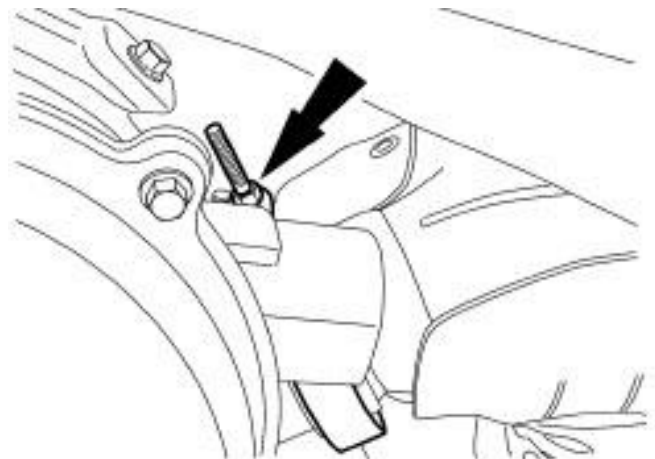
4. Remove the retaining nuts and FICM bracket from driver side valve cover.



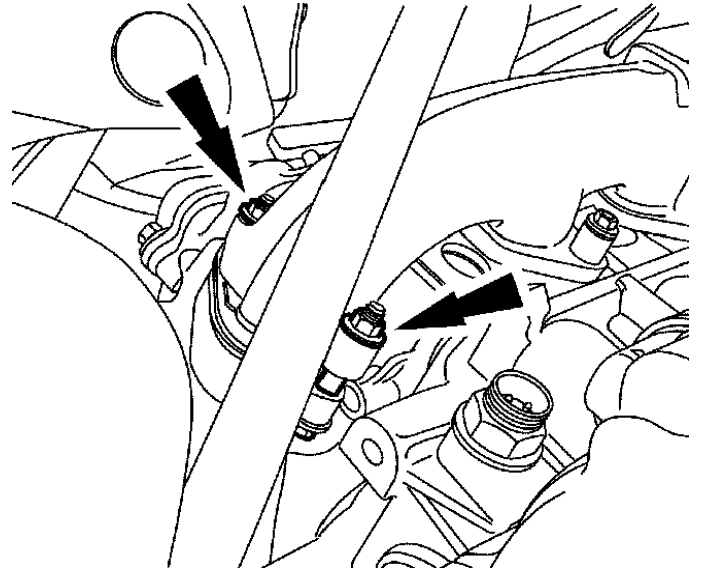
5. Remove the turbocharger inlet Y-pipe- to turbo inlet clamp. Keep this clamp for reassembly.



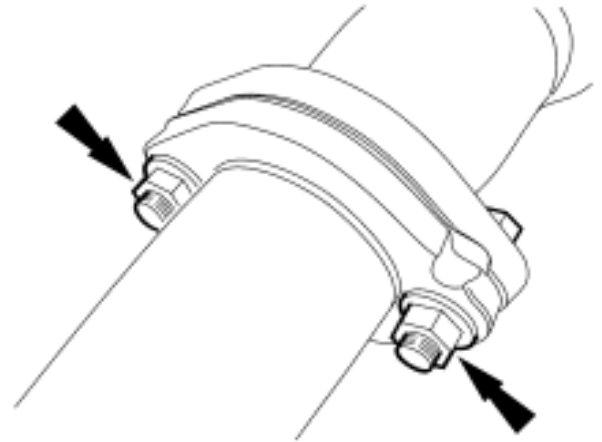
6. Remove the driver side turbocharger inlet Y-pipe-to exhaust manifold nuts.



7. Remove the passenger side turbocharger inlet Y-pipe-to exhaust manifold nuts.



8. Position the turbocharger inlet Y-pipe to gain access to the turbocharger inlet Y-pipe joint. Remove the bolts, separate the turbocharger inlet Y pipe joint and remove the gasket. Remove the two parts of the turbocharger inlet Y-pipe.



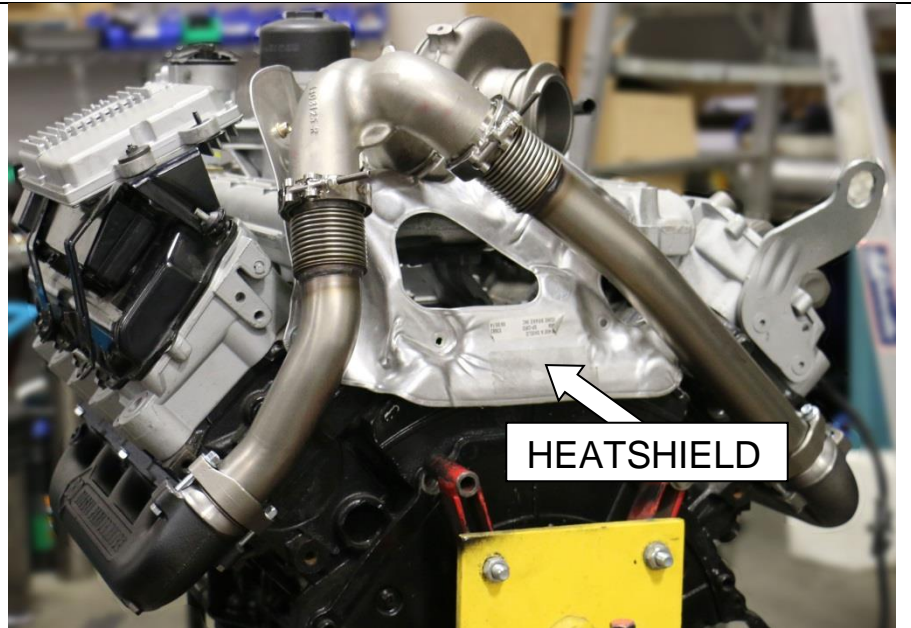
NOTE: These bolts may be easier to access if the inner fender liner is removed.

Installation

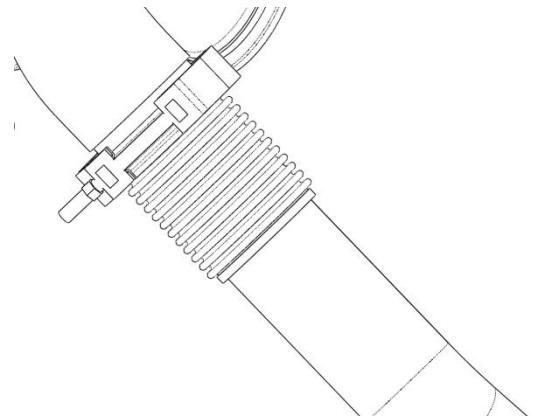
Install Notes:

- ◆ When installing the turbo inlet Y-pipe into the vehicle, do not bend or twist the flex bellows.
- ◆ Only tighten the turbocharger inlet Y-pipe fastener with hand tools.

1. If you have a 2003-04 vehicle install the supplied heatshield 5C3Z-9F460-A using the supplied bolts and washer 1900037, FT-0127135, FT-11509452.

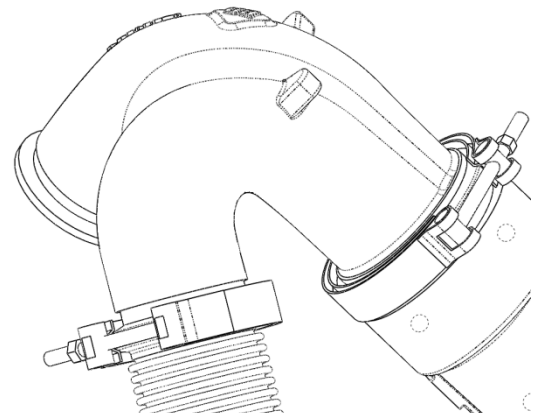


2. Assemble the BD passenger side up-pipe 1403127 onto the BD Y-collector 1403124 using the supplied V- clamp 1452225.
Leave loose to allow movement.

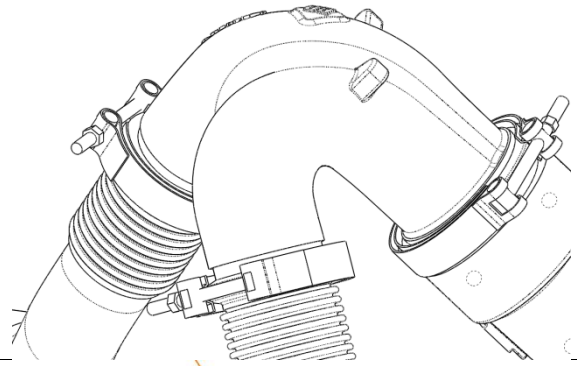


3. Maneuver the pipe assembly in to the vehicle and place the Y-collector in to the turbo inlet and reinstall OEM clamp.

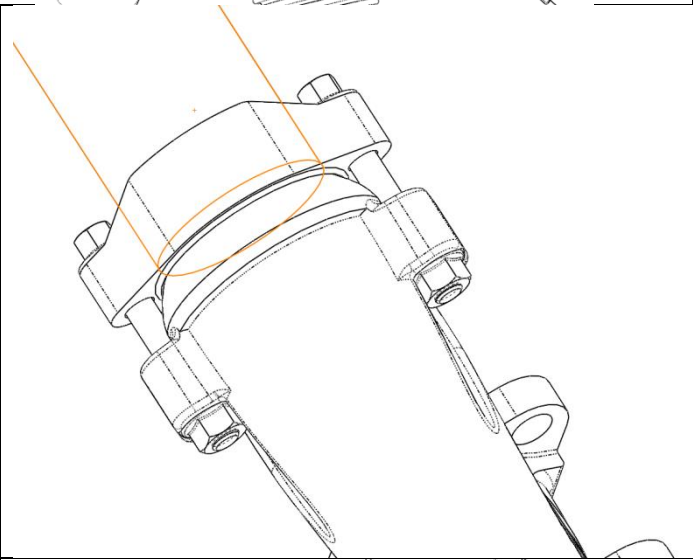
Leave loose to allow movement.



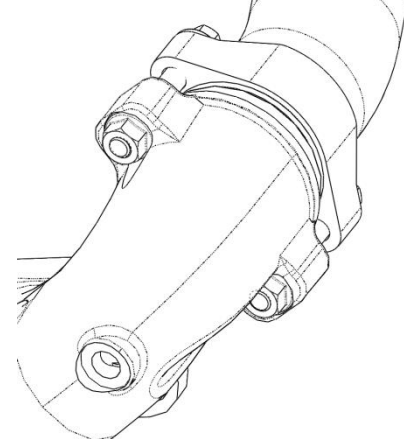
4. Install driver side up-pipe 1403126 to the Y collector 1403124 using supplied V clamp 1452225.
Leave loose to allow movement.



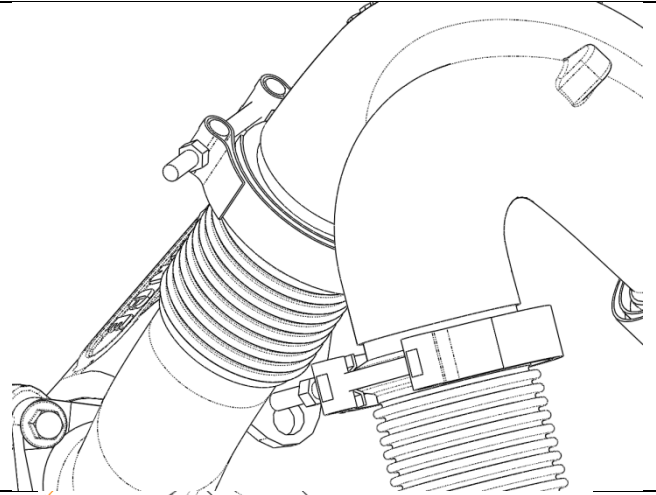
5. Connect the passenger side up-pipe to the passenger side manifold using supplied bolt 1900013 and nut 1900014.
Tighten bolts to 27Nm (20 lb-ft).



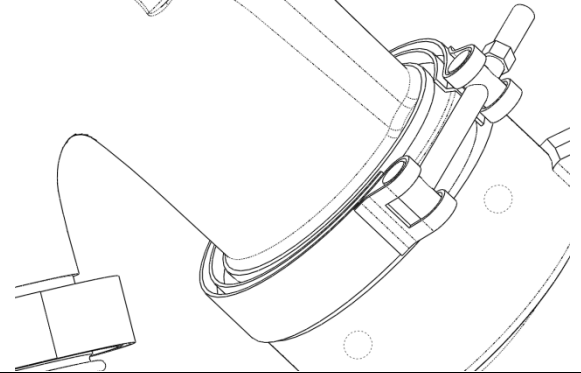
6. Connect the driver side up-pipe 1403126 to the driver side manifold using supplied bolt 1900013 and nut 1900014.
Tighten bolts to 27 Nm (20 lb-ft).



7. Tighten both driver and passenger side up-pipe V-band clamps (1452225) to Y-collector using socket. Torque to 12 Nm (9 ft-lb).

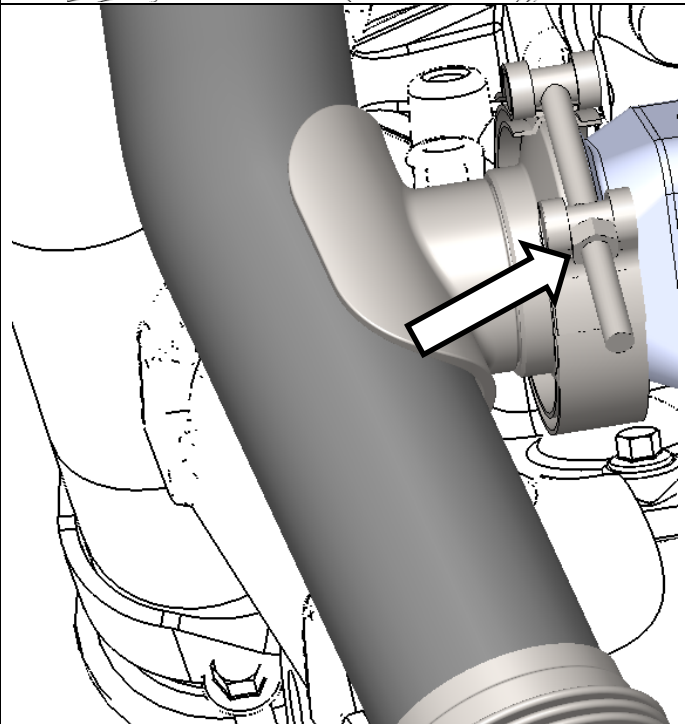


8. Tighten the v-band clamp (F81Z8287EA) to Y-collector to turbine housing using 7/16 socket). Torque to 12 Nm (9lb-ft).



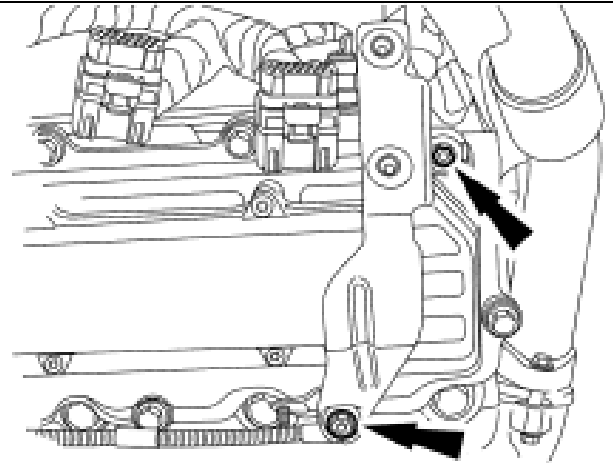
9. For EGR Equipped Vehicles Only:

Align the EGR cooler flange with the 1403131 up pipe flange and reinstall the original EGR cooler v band clamp (3C3Z-8287-CB) and tighten using 11 mm wrench Torque to 12 Nm (9lb-ft).



10. Reinstall FICM (Follow OE Instructions)

11. Reinstall Turbo (Follow OE Instructions)



12. Start the engine and check the system for leaks. Installation is complete.