

Denoxtronic 2.2 – SCR System for Heavy Commercial and Off-Highway Vehicles



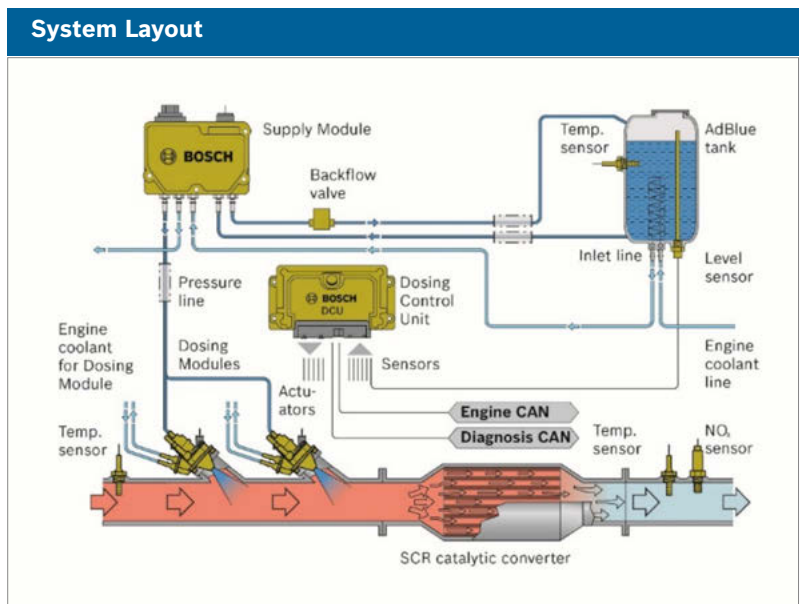
BOSCH
Invented for life

In order to reduce the environmental burden of toxic substances emitted by motor vehicles, in 2010 the Environmental Protection Agency (EPA) mandated that the worldwide limits for emissions from motor vehicles be continuously reduced.

The Bosch Denoxtronic System is the leading OEM emissions solution utilizing Selective Catalytic Reduction (SCR) technology. SCR technology is an Exhaust Gas Treatment strategy designed to reduce oxides of nitrogen (NOx) emissions from diesel vehicles. NOx gasses react in the atmosphere to form smog and acid rain. The Bosch Denoxtronic system is made up of an SCR catalyst and a urea dosing system. When combined, these components convert up to 95% of the harmful NOx emissions into harmless nitrogen, water, and CO₂. This allows diesel engines to run leaner and burn less fuel without the harmful emissions previously caused by lean conditions.

The Denoxtronic 2.2 system was specifically developed for use in diesel powered heavy commercial and off highway vehicles.

[See other side for Key Applications](#)



Supply Module

Pumps fluid from DEF tank and pressurizes it for injection

Dosing Module

Injects the DEF fluid into the exhaust



Key Applications

Application	Part Description	Bosch Part Number
MACK/VOLVO	Supply Module 12V	0444042009
MACK/VOLVO	Supply Module 24V	0444042012
CUMMINS	Supply Module 12V without Check Valve	0444042132
CUMMINS	Supply Module 24V without Check Valve	0444042133
CUMMINS	Supply Module 12V with Check Valve	0444042134
CUMMINS	Supply Module 24V with Check Valve	0444042137
CAT	Supply Module 12V	0444042059
CAT	Supply Module 24V	0444042061
DEERE	Supply Module 12V	0444042066
DEERE	Supply Module 24V	0444042067
HINO	Supply Module 12V	0444042096
CUMMINS	Dosing Module	0444043017
MACK	Dosing Module	0444023067
MACK/VOLVO	Dosing Module	0444043087
DEERE	Dosing Module	0444043045
DEERE	Dosing Module	0444043046
HINO	Dosing Module	0444043060
HINO	Dosing Module	0444043072
AGCO	Dosing Module	0444023011