

## Installation Steps:

1) Attention! Please read ALL of the installation steps prior to assembly.

If applicable, reset the combination lock before beginning installation.

1) Remove all of the contents from your console (mat included if applicable).

**(Image 1)**

1) The safe will drop directly into the console. Make sure it is oriented correctly

with the shape of the console. Press down inside the safe to level it. **(Image 2)**.

1) There are four threaded fittings inside the safe, two on the driver side and two on the passenger side. Hand thread the self-drilling screws into each fitting. **(Image 3)**

2) The following process drills out the hole in the console wall and helps guarantee your safe has the tightest fit possible to the console.

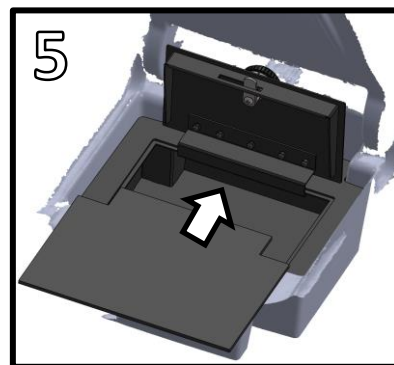
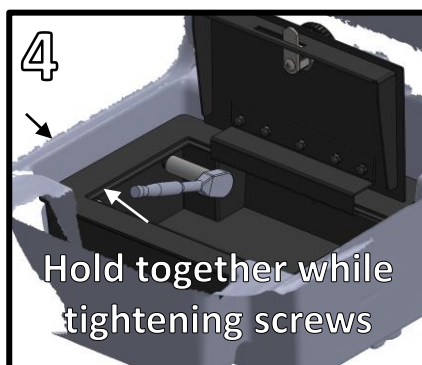
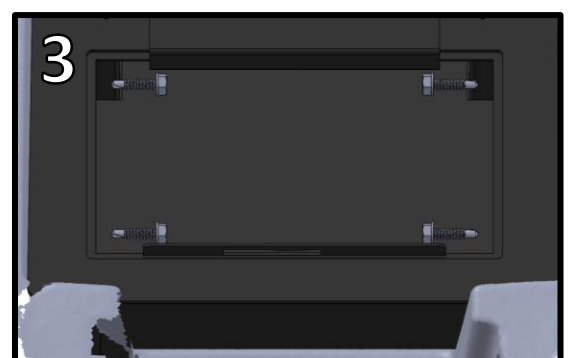
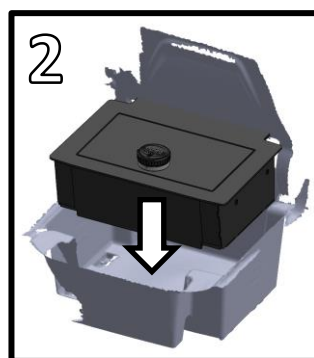
a) Tighten each self-drilling screw until the screw head nearly rests against the insert nut.

b) Unscrew the self-drilling screws most of the way and firmly hold the safe and the side of the console together. Continue holding together for Step 5c. **(Image 4)**

c) Once again, tighten each of the self-drilling screws until the screw head fully rests against the insert nut and **STOP! DO NOT OVER TIGHTEN** - Over tightening will damage the fitting.

3) Place the EVA Foam Pad into the bottom of the safe **(Image 5)**.

4) The installation is now complete!



# Combination Lock Reset Guides:

## Installation Steps:

**IMPORTANT:** Make sure to set your combination **BEFORE** installing your safe

Before setting your combination, ensure safe door remains **OPEN** to prevent accidental lockout



⇒ [4 Digit Lock User Guide](#)



⇒ [3 Digit Lock User Guide](#)



⇒ [Elite 4-Digit Lock  
User Guide](#)