

Installation Steps:

ATTENTION: Review all steps prior to initiating installation. If you purchased a safe with a combination lock, please follow the combination lock reset instructions BEFORE BEGINNING INSTALLATION to prevent accidental lockout:

[4-DIGIT COMBINATION LOCK GUIDE](#)

[3-DIGIT COMBINATION LOCK GUIDE](#)

[ELITE 4-DIGIT COMBO LOCK GUIDE](#)

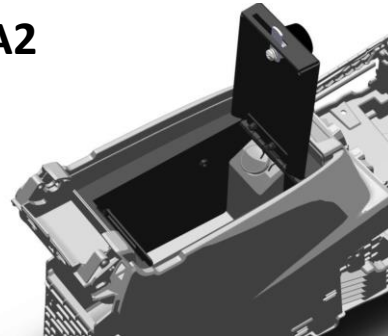
1. If applicable, reset the combination lock before beginning installation.
2. Remove all contents from the center console, including pad at the bottom.
3. Remove factory installed hardware from bottom floor of vehicle console.
4. Slip In-Vehicle Safe down into the center console. Note: The lock should be at the front of the console.
5. Open the lid of the safe and locate the (2) mounting slots on the bottom of the safe.
6. Using the hardware provided, slide the (2) washers onto the (2) hex-head mounting screws and install the (2) hex-head mounting screws through the In-Vehicle Safe mounting slots and finger tighten.
7. Using a socket wrench, tighten each of the hex-head screws. DO NOT OVER TIGHTEN.
8. Place the provided pad in the bottom of the In-Vehicle Safe, installation is complete.



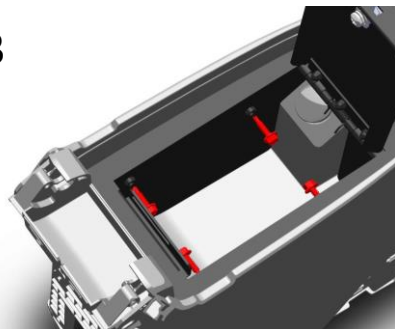
A1



A2



A3



A4

