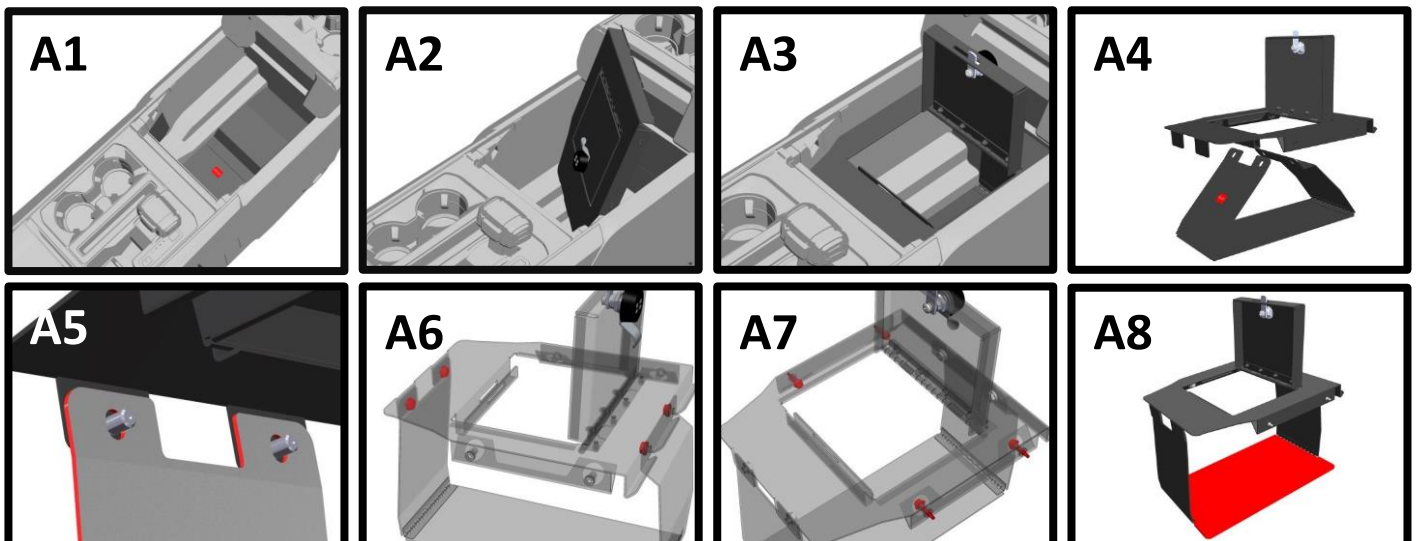


Installation Steps:



- 1) Review all steps before initiating installation.
- 2) If applicable, reset the combination lock before beginning installation.
- 3) Remove all contents from the center console, including the rubber pad at the bottom.
- 4) Insert the **Hinge Plate** at the bottom of the console, verifying that the sticker labeled “**FRONT**” is positioned at the front of the console compartment. **(A1)**
- 5) Insert the **Frame Top** at a downward angle, maneuvering until fully inserted and resting at the bottom of the console. **(A2)**
- 6) With the **Frame Top** resting flat at the bottom of the console, open the lid and pull the **Frame Top** up, so that the front and back contact the ledges in the console. At that point, the frame top will not be able to go any higher. **(A3)**
- 7) While holding in this position, open the **Hinge Plate** by pivoting the front and rear sections up, making sure the studs are inserted through the slots. **(A4) & (A5)**
- 8) Thread a nut onto each of the 4 studs in the locations shown in red. Using a **1/2” Socket Wrench**, complete tightening while simultaneously checking that the **Frame Top** and **Hinge Plate** stay wedged in the console cavity. **(A6)**
- 9) Be sure that the **Top Frame** and **Hinge Plate** are firmly wedged in the console cavity. Insert and thread the 4 Self Drilling Screws by hand in the locations shown. Using a **7/16” Socket Wrench**, complete tightening until the screw heads contact the insert nuts and **STOP! (A7) Warning! Overtightening the screws will cause damage to the threads.**
- 10) Insert the **Foam Pad**, and the installation is now complete. **(A8)**



Combination Lock Reset Guides:

Installation Steps:

IMPORTANT: Make sure to set your combination **BEFORE** installing your safe

Before setting your combination, ensure safe door remains **OPEN** to prevent accidental lockout



⇒ [4 Digit Lock User Guide](#)



⇒ [3 Digit Lock User Guide](#)



⇒ [Elite 4-Digit Lock
User Guide](#)