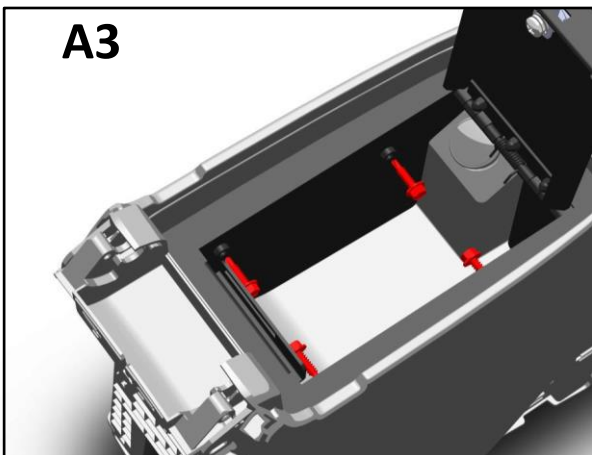
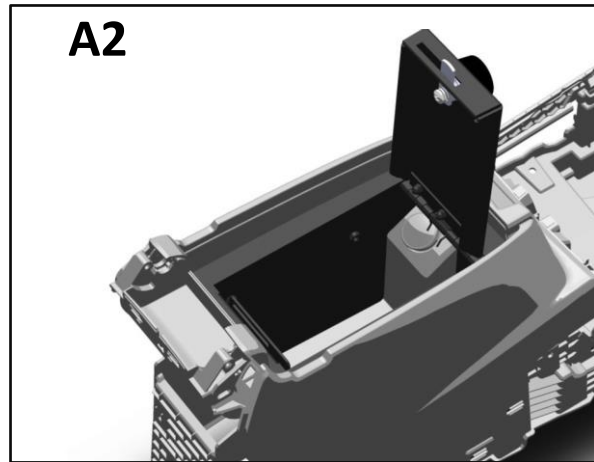
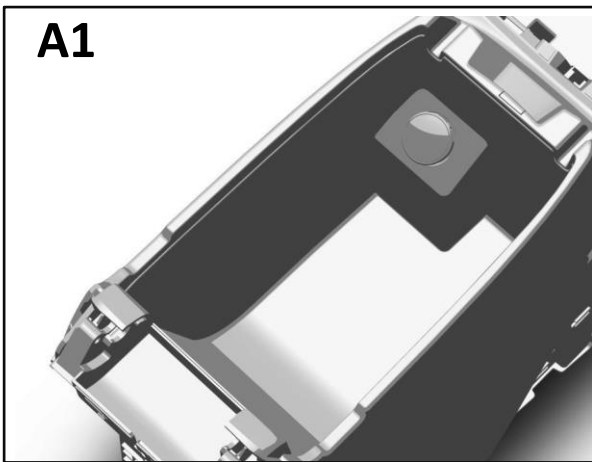


Installation Steps:

1. Review all steps before initiating installation.
2. If applicable, reset the combination lock before beginning installation. (See page 2)
3. Remove all contents from the center console, only leaving the OE pad at the bottom. As shown in image: (A1)
4. Notice the two mounting screws in each front corners of the compartment, remove these two screws and place aside
5. With the door in the open position, carefully slide in the safe body with the lock and door facing towards the front of the vehicle console. As shown in image: (A2)
6. Insert the **Self Drilling Screws** by hand, (provided) and use a **1/2" Socket Wrench** to complete tightening until the screw heads fully contact the insert nuts: **STOP! Warning! Overtightening the screws will cause damage to the threads.** As shown in image: (A3)
7. The installation is now complete. (A4)



Combination Lock Reset Guides:

Installation Steps:

IMPORTANT: Make sure to set your combination **BEFORE** installing your safe

Before setting your combination, ensure safe door remains **OPEN** to prevent accidental lockout



⇒ [4 Digit Lock User Guide](#)



⇒ [3 Digit Lock User Guide](#)



⇒ [Elite 4-Digit Lock
User Guide](#)