

Installation Steps:

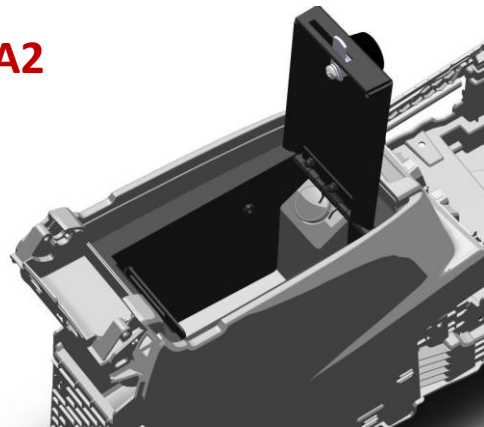


- 1) Review all steps before initiating installation.
- 2) If applicable, reset the combination lock before beginning installation.
- 3) Remove all contents from the center console, only leaving the rubber pad at the bottom. **(A1)**
- 4) With the door in the open position, carefully slide in the safe body with the lock facing towards the front of the vehicle console. Be sure that the vault is seated all the way down into the console compartment. **(A2)**
- 5) Insert the **4 Self Drilling Screws** by hand, and use a **7/16" Socket Wrench**, complete tightening until the screw heads fully contact the insert nuts and **STOP! (A3) Warning! Overtightening the screws will cause damage to the threads.**
- 6) The installation is now complete. **(A4)**

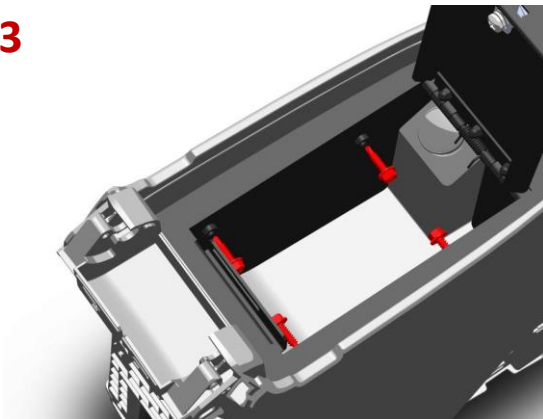
A1



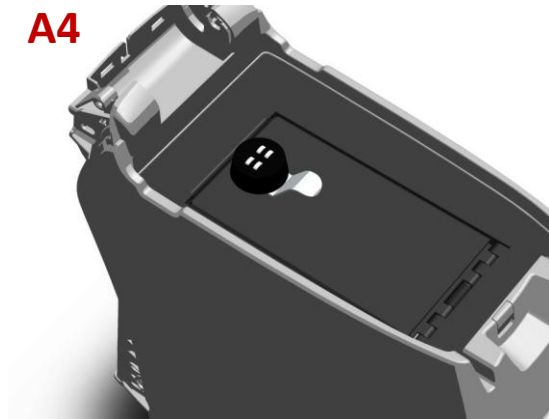
A2



A3



A4



Combination Lock Reset Guides:

Installation Steps:

IMPORTANT: Make sure to set your combination **BEFORE** installing your safe

Before setting your combination, ensure safe door remains **OPEN** to prevent accidental lockout



⇒ [4 Digit Lock User Guide](#)



⇒ [3 Digit Lock User Guide](#)



⇒ [Elite 4-Digit Lock
User Guide](#)