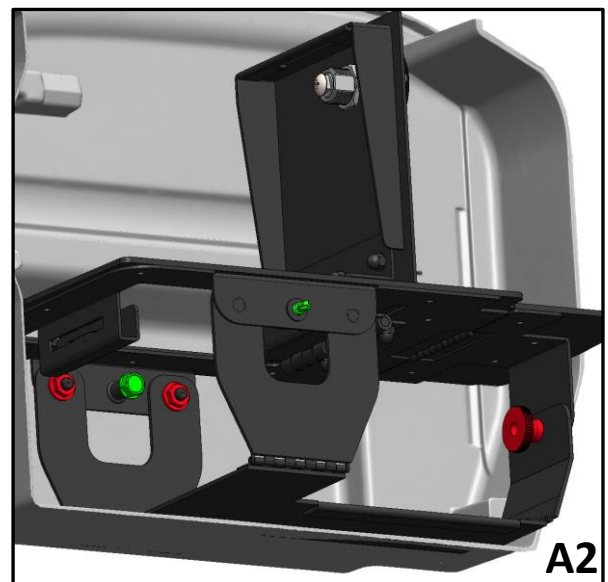
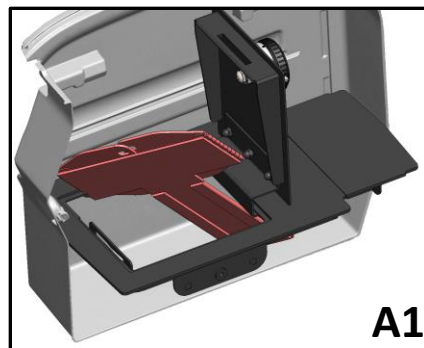


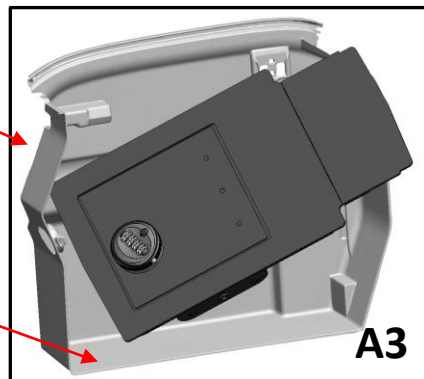
Installation Steps:

- 1) Remove any contents from the center console.
- 2) If applicable, reset the lock combination.
- 3) With the lid closed, rotate the door assembly down into the bottom of the console, below the file hanger rails. NOTE: The Safe lid should be oriented with the lock towards the front of the console. To install, the safe lid MUST be inserted with the driver's side edge dropped into the console first. See image **A3** below for reference
- 4) Open the safe door and pull it up in the console. **A1**
- 5) While holding the safe, lower the hinge plate assembly through the door, with the "goal post" shaped arms oriented towards the front of the vehicle. **A1**
- 6) Open the hinge plate and locate the studs on the door assembly with the slots on the hinge frame.
- 7) Allowing the door assembly to rest on the hinge frame, fasten 4 regular nuts at the front (**shown in red**), and using the thumb nut to secure the rear most stud position finger tight. Ensure that the back hinged piece is parallel to the lid. It should sit flush with the safe lid as shown in image. **A2**
- 8) Tighten each of the 4 flange nuts (**shown in red**) with a wrench.
- 9) Notice two threaded fittings, one on each side of the door assembly. Hand thread a screw into each fitting (**shown in green**).
- 10) Tighten each of the self-drilling screws (**shown in green**), **DO NOT OVER TIGHTEN**, these screws are designed to cut into the bin while turning. Once the screw is fully seated, **STOP**. Over tightening will damage the fitting.
- 11) Place the foam pad included with the safe into the center console.
- 12) The installation is now complete.



Passenger side

Driver side



Cross section of console with the safe in the installed position

Combination Lock Reset Guides:

Installation Steps:

IMPORTANT: Make sure to set your combination **BEFORE** installing your safe

Before setting your combination, ensure safe door remains **OPEN** to prevent accidental lockout



⇒ [4 Digit Lock User Guide](#)



⇒ [3 Digit Lock User Guide](#)



⇒ [Elite 4-Digit Lock
User Guide](#)