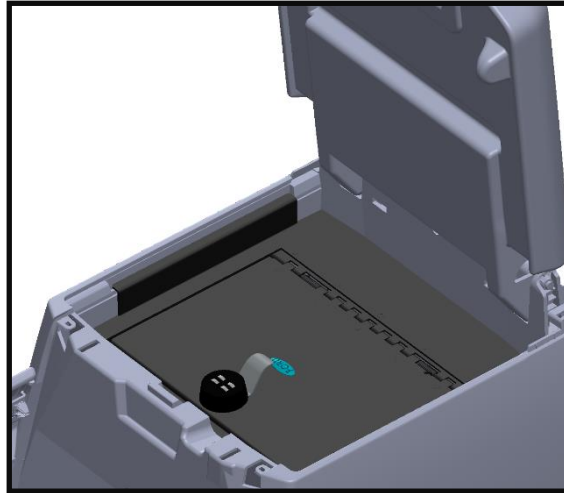


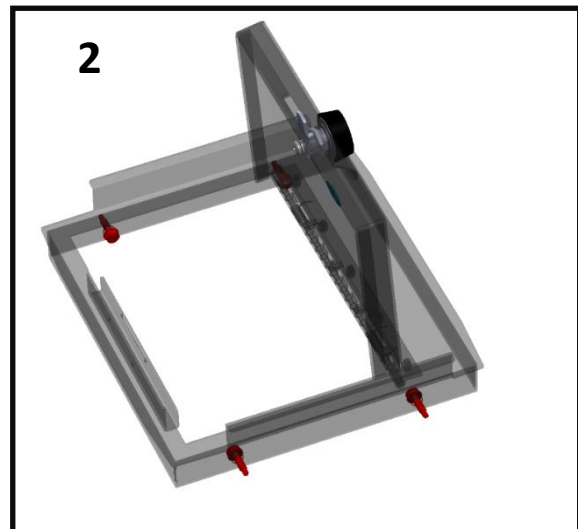
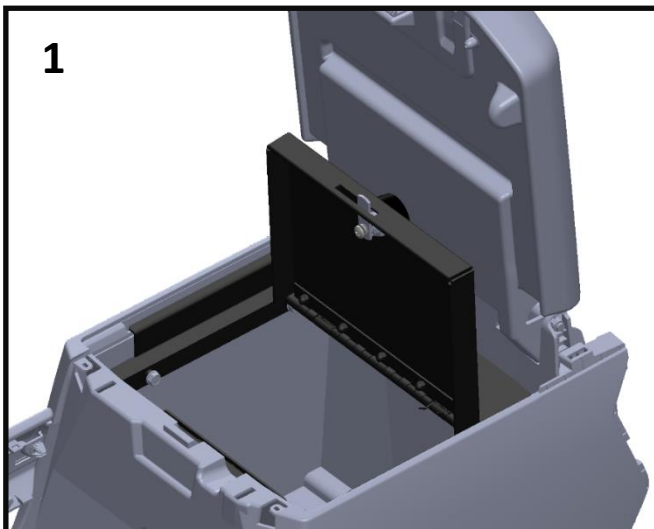


**Official
Licensed
Product**

Installation Steps:



1. If applicable, reset the combination lock before beginning installation.
2. Remove all contents from the center console, only leaving the rubber pad at the bottom.
3. With the door in the open position, carefully slide in the safe body with the lock facing towards the front of the vehicle figure **(1)**. Be sure that the safe hangers are sitting directly on the file hanger features so the safe is fully seated in the console.
4. Hand-thread one of the front two TekScrew fasteners until hand-tight, then use a 7/16" socket to fasten to 7.00 Nm [61.95 in-lbs].
5. Repeat Step 4 in the order shown in figure (2).
6. The installation is now complete.



Combination Lock Reset Guides:

Installation Steps:

IMPORTANT: Make sure to set your combination **BEFORE** installing your safe

Before setting your combination, ensure safe door remains **OPEN** to prevent accidental lockout



⇒ [4 Digit Lock User Guide](#)



⇒ [3 Digit Lock User Guide](#)



⇒ [Elite 4-Digit Lock
User Guide](#)