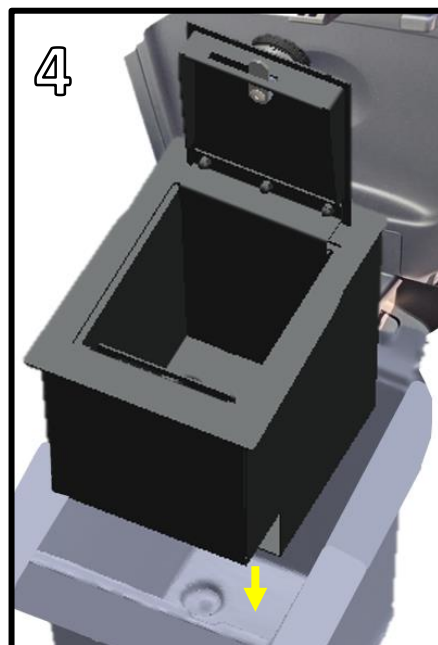


Installation Steps:

- 1) Review all steps before initiating installation.
- 2) If applicable, reset the combination lock before beginning installation.
- 3) Remove all contents from the center console, including the tray and mat that come with the vehicle shown in **Image 3**.
- 4) For install, the safe should be oriented such that the lock is towards the front of the vehicle. With the safe door in the open position, carefully slide in the safe body into the console (Image 4). Be sure that the vault is seated all the way down into the console compartment.
- 5) Using **10mm socket wrench**, install the **2 replacement screws** that came with the kit (Image 5). Completely tighten until screw washers fully contact the safe and **STOP!**
Warning! Overtightening screws will cause damage to threads.
- 6) Place the provided mat inside the safe.
- 7) The installation is now complete!



Combination Lock Reset Guides:

Installation Steps:

IMPORTANT: Make sure to set your combination **BEFORE** installing your safe

Before setting your combination, ensure safe door remains **OPEN** to prevent accidental lockout



⇒ [4 Digit Lock User Guide](#)



⇒ [3 Digit Lock User Guide](#)



⇒ [Elite 4-Digit Lock
User Guide](#)