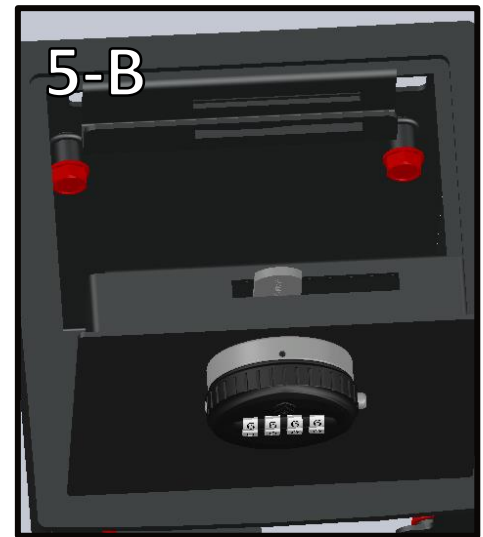
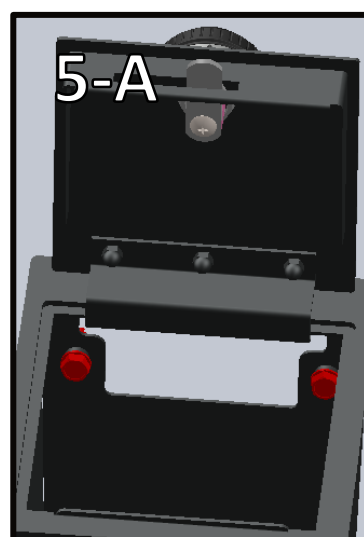
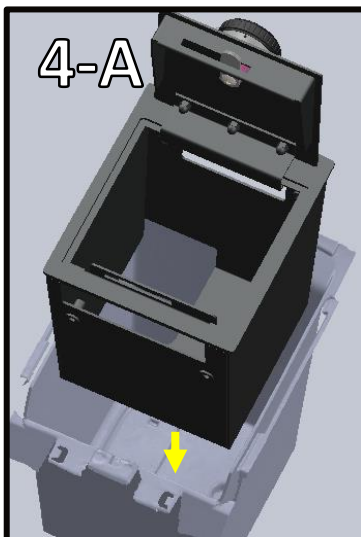


Installation Steps:

Note: Verify that your vehicle has the correct console. Your console should look like the one shown here.



- 1) Review all steps before initiating installation.
- 2) If applicable, reset the combination lock before beginning installation.
- 3) Remove all contents from the center console, including the mat that comes with the vehicle.
- 4) For install, the safe should be oriented such that the lock is towards the front of the vehicle. With the safe door in the open position, carefully slide in the safe body into the console (**Image 4**). Be sure that the vault is seated all the way down into the console compartment.
- 5) Hand start the (4X) self-drilling screws (2X at the back of the safe, shown in **Image 5-A**, and 2X at the front of the safe, shown in **Image 5-B**), then tighten with a **7/16" socket wrench** until they come to a hard stop. **Warning! Overtightening screws will cause damage to threads.**
- 6) Place the provided mat inside the safe.
- 7) The installation is now complete!



Combination Lock Reset Guides:

Installation Steps:

IMPORTANT: Make sure to set your combination **BEFORE** installing your safe

Before setting your combination, ensure safe door remains **OPEN** to prevent accidental lockout



⇒ [4 Digit Lock User Guide](#)



⇒ [3 Digit Lock User Guide](#)



⇒ [Elite 4-Digit Lock
User Guide](#)