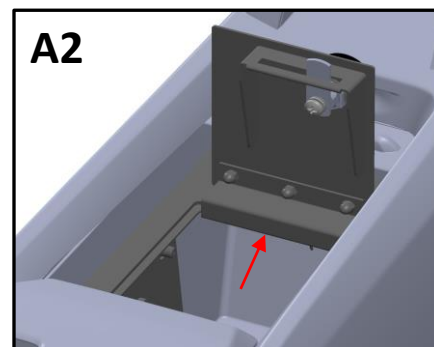
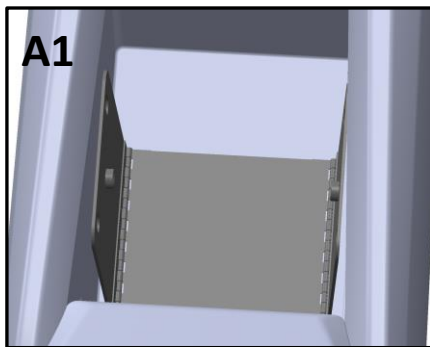


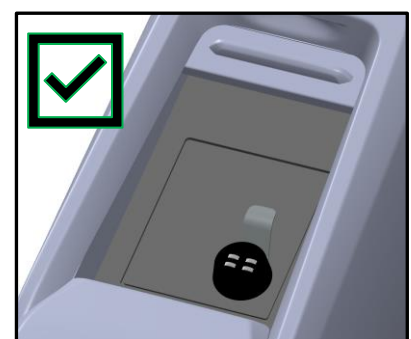
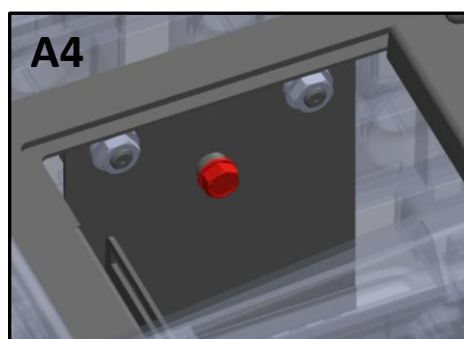
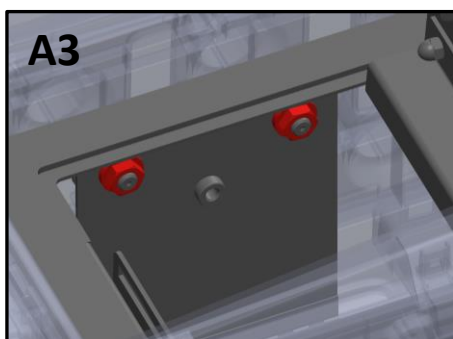


Installation Steps:

- 1) Remove the OE felt pad from the bottom of the console, along with any other contents.
- 2) Place the hinged plate in the bottom of the console. **A1**
- 3) With the Safe lid open, maneuver the rear of the safe into the console.



- 4) Use a hand underneath on the back of the safe (red arrow) to bring the frame to a level position inside the console. **A2**
- 5) Open the hinged plate and fasten it to the safe top using the provided nuts. **A3**
- 6) Notice two threaded fittings, one on each side of the hinged plate. Hand thread a screw into each fitting.
- 7) Tighten each of the self-drilling screws, **DO NOT OVER TIGHTEN**, these screws are designed to cut into the bin while turning. Once the screw is fully seated, **STOP**. Over tightening will damage the fitting. **A4**
- 8) Place the foam pad included with the Console Vault into the center console.
- 9) The installation is now complete.



Combination Lock Reset Guides:

Installation Steps:

IMPORTANT: Make sure to set your combination **BEFORE** installing your safe

Before setting your combination, ensure safe door remains **OPEN** to prevent accidental lockout



⇒ [4 Digit Lock User Guide](#)



⇒ [3 Digit Lock User Guide](#)



⇒ [Elite 4-Digit Lock
User Guide](#)