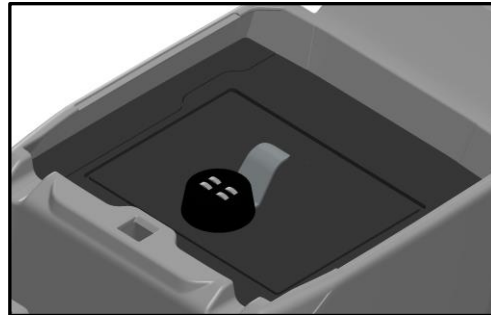
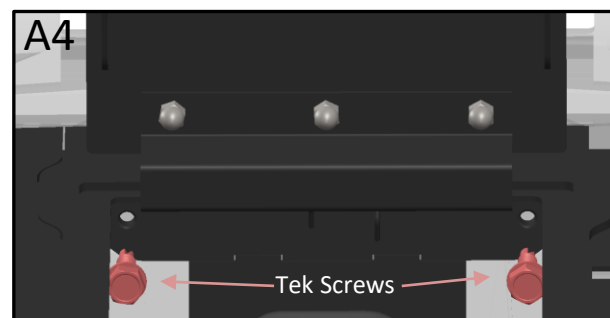
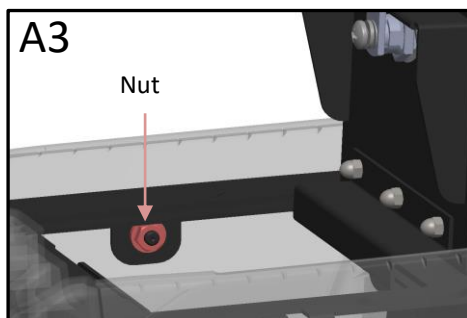
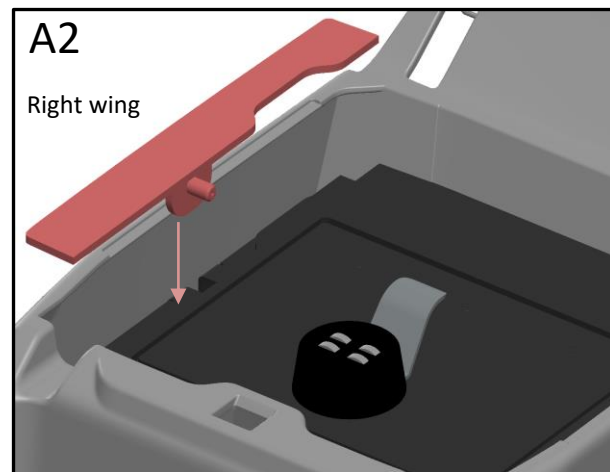
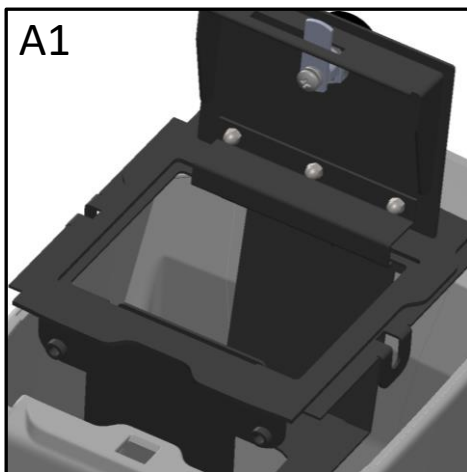


## Installation Steps:



- 1) Remove the OE rubber mat from the center console storage compartment.
- 2) Reset the lock if applicable.
- 3) Place the Safe frame into the console without wings assembled. **A1**
- 4) Place the left and right wings onto the Safe. **A2**
- 5) While holding the wing flat against the Safe, use a six-point 7/16" socket to fasten each of the 2 nuts Ford PN: **AMR1WJ-78045P85-DA** to 7.00 Nm [61.95 in-lbs]. Right side nut shown. **A3**
- 6) Using a 7/16" socket fasten each of the four 1.0" long Tek Screws Ford PN: **AMR1WJ-78045P85-CA** to 7.00 Nm [61.95 in-lbs]. Rear screws shown. **A4**
- 7) Place the pad in the bottom of the console. The installation is now complete.



## Combination Lock Reset Guides:

### Installation Steps:

**IMPORTANT:** Make sure to set your combination **BEFORE** installing your safe

Before setting your combination, ensure safe door remains **OPEN** to prevent accidental lockout



⇒ [4 Digit Lock User Guide](#)



⇒ [3 Digit Lock User Guide](#)



⇒ [Elite 4-Digit Lock  
User Guide](#)