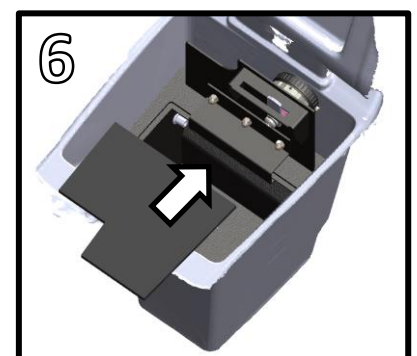
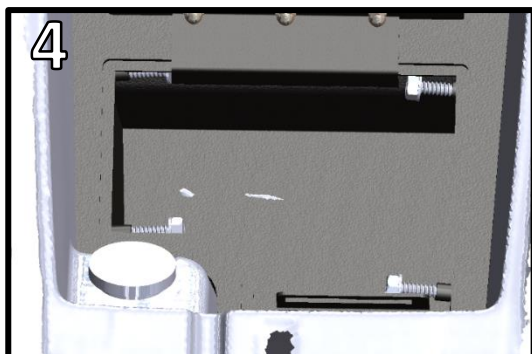
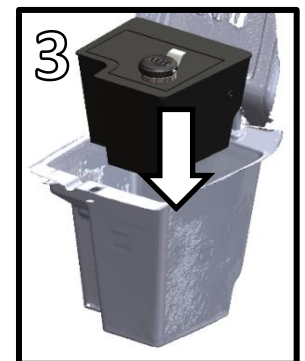


Installation Steps:

- 1) Attention! Please read ALL of the installation steps prior to assembly.
If applicable, reset the combination lock before beginning installation.
- 2) Remove all of the contents from your console (mat included if applicable). **(Image 2)**
- 3) The safe will drop directly into the console. Make sure it is oriented correctly with the shape of the console. **(Image 3)**.
- 4) There are four threaded fittings inside the safe, two on the driver side and two on the passenger side. Hand thread the self-drilling screws into each fitting. **(Image 4)**
- 5) The following process drills out the hole in the console wall and helps guarantee your safe has the tightest fit possible to the console.
 - a) Tighten each self-drilling screw until the screw head nearly rests against the insert nut.
 - b) Unscrew the self-drilling screws most of the way and firmly hold the safe and the side of the console together. Continue holding together for Step 5c. **(Image 5)**
 - c) Once again, tighten each of the self-drilling screws until the screw head fully rests against the insert nut and **STOP! DO NOT OVER TIGHTEN** - Over tightening will damage the fitting.
- 6) Place the EVA Foam Pad into the bottom of the safe **(Image 6)**.
- 7) The installation is now complete!



Combination Lock Reset Guides:

Installation Steps:

IMPORTANT: Make sure to set your combination **BEFORE** installing your safe

Before setting your combination, ensure safe door remains **OPEN** to prevent accidental lockout



⇒ [4 Digit Lock User Guide](#)



⇒ [3 Digit Lock User Guide](#)



⇒ [Elite 4-Digit Lock
User Guide](#)