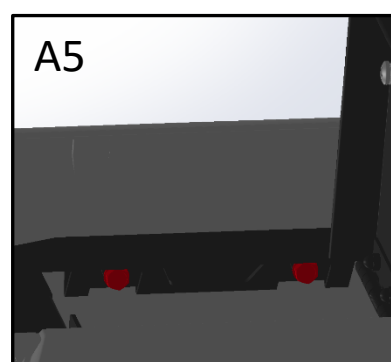
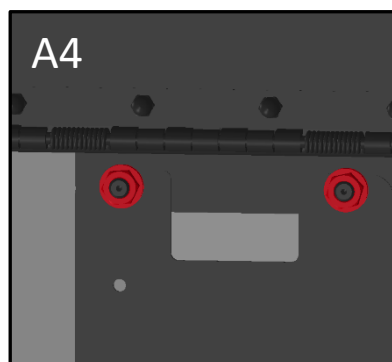
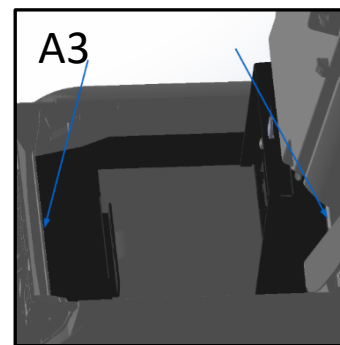
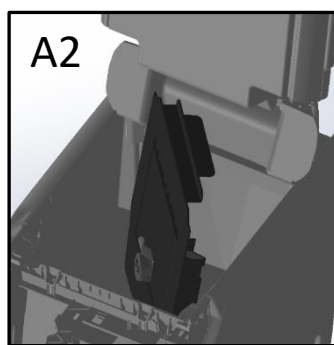
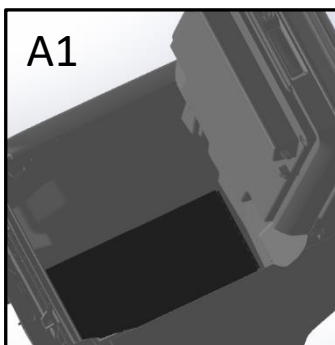


## Installation Steps:

1. If applicable, reset the combination lock before beginning installation.
2. Remove all contents from the center console, including the rubber pad at the bottom.
3. Insert the **Hinged Plate** at the bottom of the console, closed and lengthwise, as shown. **(A1)**
4. Insert the **Frame Top** at a downward angle, maneuvering until fully inserted and resting at the bottom of the console. **(A2)**
5. With the **Frame Top** resting flat at the bottom of the console, open the lid and pull the **Frame Top** up, so that the front and back contact the ledges in the console indicated by the blue arrows. At that point, the frame top will not be able to go any higher. **(A3)**
6. While holding in this position, open the **Hinge Plate** by pivoting the front and rear sections up, making sure the studs are inserted through the slots. **(A4)** Thread a nut (in red) onto each of the 4 studs, 2 in the front, and 2 in the rear. Using a **1/2" Socket Wrench**, complete tightening.
7. Be sure that the **Frame Top** and **Hinged Plate** are firmly wedged in the console cavity. Insert and thread the 4 Self Drilling Screws (in red) by hand, two on each side. Using a **7/16" Socket Wrench**, complete tightening until the screw heads contact the insert nuts and **STOP! (A5) Warning! Overtightening the screws will cause damage to the threads.**
8. Insert the provided **Foam Pad**, and the installation is now complete.



# Combination Lock Reset Guides:

## Installation Steps:

**IMPORTANT:** Make sure to set your combination **BEFORE** installing your safe

Before setting your combination, ensure safe door remains **OPEN** to prevent accidental lockout



⇒ [4 Digit Lock User Guide](#)



⇒ [3 Digit Lock User Guide](#)



⇒ [Elite 4-Digit Lock  
User Guide](#)